

Disc 09.C133.11

brembo
AFTERMARKET

Specificații tehnice disc

Osie Anterioară

Diametru
304 mm

Înălțime totală (A)
48 mm

Diametru de centrare (B)
71 mm

Număr orificii (C)
5

Grosime (TH)
28 mm

Grosime min.
26 mm

Cuplu de strângere 
Nm

Unități per cutie
1

Cod EAN
8020584220993



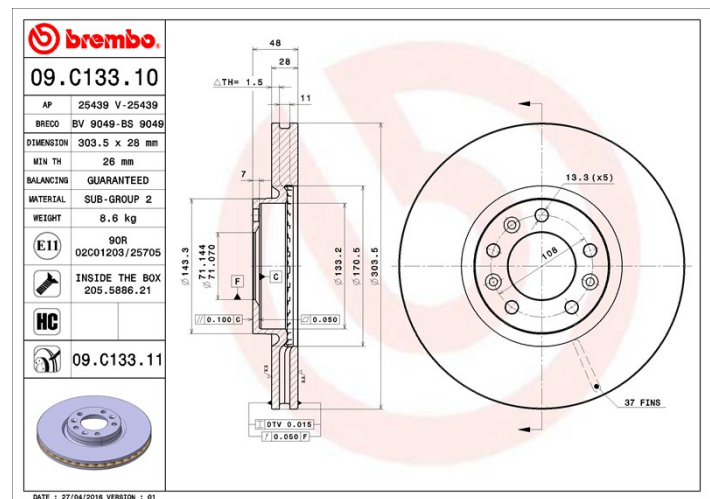
brembo

Coduri mărci

Brembo
09.C133.11

AP
25439 V

Breco
BV 9049



Specificații tehnice

Disc High Carbon (HC)

Datorită procentului ridicat de carbon din compoziția chimică a fontei, discul HC oferă un coeficient de amortizare superior, capabil să reducă vibrațiile și nivelul de zgomot în timpul condusului.

HC

Disc cu șuruburi de fixare

Prin introducerea șurubului de fixare în cutia discului, Brembo furnizează un ajutor în plus mecanicului în situația în care șurubul original ruginește sau se uzează într-o asemenea măsură încât să împiedice reutilizarea sau să o facă periculoasă.



Disc UV

Procesul de vopsire UV garantează o rezistență superioară la coroziune și o protecție completă a discului.



Autovehicule compatibile

CITROËN

Model	Tip	kW	An
BERLINGO (B9)	1.2 PureTech 110	81	02/16 -
BERLINGO (ER_, EC_)	1.2 PureTech 110	81	06/18 -
BERLINGO (ER_, EC_)	1.5 BlueHDi 100	75	06/18 -

BERLINGO (ER_, EC_)	1.5 BlueHDi 130 (ECYHZJ, ECYHZR)	96	06/18 -
BERLINGO (ER_, EC_)	1.5 BlueHDi 75	56	06/18 -
C4 Grand Picasso II	1.2 THP 130	96	04/14 -
C4 Grand Picasso II	1.6 BlueHDi 100	73	01/15 -
C4 Grand Picasso II	1.6 BlueHDi 120	88	07/14 -
C4 Grand Picasso II	1.6 HDi / BlueHDi 115	85	09/13 -
C4 Grand Picasso II	1.6 HDi 90	68	09/13 -
C4 Grand Picasso II	1.6 THP 150	110	09/14 -
C4 Grand Picasso II	1.6 THP 155	115	09/13 -
C4 Grand Picasso II	1.6 THP 165	121	07/14 -
C4 Grand Picasso II	1.6 VTi 120	88	09/13 -
C4 Grand Picasso II	2.0 BlueHDi 135	100	09/13 -
C4 Grand Picasso II	2.0 BlueHDi 150	110	06/13 -
C4 Picasso II	1.2 THP 110	81	04/16 -
C4 Picasso II	1.2 THP 130	96	04/14 -
C4 Picasso II	1.6 BlueHDi 100	73	12/14 -
C4 Picasso II	1.6 BlueHDi 120	88	07/14 -
C4 Picasso II	1.6 HDi / BlueHDi 115	85	02/13 -
C4 Picasso II	1.6 HDi 90	68	02/13 -
C4 Picasso II	1.6 THP 150	110	09/14 -
C4 Picasso II	1.6 THP 155	115	02/13 -
C4 Picasso II	1.6 THP 165	121	07/14 -
C4 Picasso II	1.6 VTi 120	88	02/13 -
C4 Picasso II	2.0 BlueHDi 135	100	09/13 -
C4 Picasso II	2.0 BlueHDi 150	110	09/13 -
C4 Picasso II	2.0 i 16V	105	06/13 12/14
C4 SPACETOURER (3D_)	1.2 PureTech 110	81	04/18 -
C4 SPACETOURER (3D_)	1.2 PureTech 130	96	04/18 -
C4 SPACETOURER (3D_)	1.5 BlueHDi 130	96	05/18 -
C4 SPACETOURER (3D_)	1.6 BlueHDi 100	73	04/18 -
C4 SPACETOURER (3D_)	1.6 BlueHDi 120	88	04/18 -

C4 SPACETOURER (3D_)	1.6 THP 165	121	04/18 -
C4 SPACETOURER (3D_)	2.0 BlueHDi 150	110	04/18 -
C4 SPACETOURER (3D_)	2.0 BlueHDi 160	120	04/18 -
C5 III Break (RW_)	2.0 HDi 150 / BlueHDi 150	110	04/09 -
C5 III Break (RW_)	2.0 HDi 165	120	04/09 -
GRAND C4 SPACETOURER (3A_, 3E_)	1.2 PureTech 130	96	04/18 -
GRAND C4 SPACETOURER (3A_, 3E_)	1.5 BlueHDi 130	96	05/18 -
GRAND C4 SPACETOURER (3A_, 3E_)	1.6 BlueHDi 100	73	04/18 -
GRAND C4 SPACETOURER (3A_, 3E_)	1.6 BlueHDi 120	88	04/18 -
GRAND C4 SPACETOURER (3A_, 3E_)	1.6 THP 165	121	04/18 -
GRAND C4 SPACETOURER (3A_, 3E_)	2.0 BlueHDi 150	110	04/18 -
GRAND C4 SPACETOURER (3A_, 3E_)	2.0 BlueHDi 160	120	04/18 -

DS

Model	Tip	kW	An
DS 7 Crossback (J_)	1.5 BlueHDi 130	96	09/17 -
DS 7 Crossback (J_)	1.6 PureTech 180	133	04/18 -
DS 7 Crossback (J_)	1.6 PureTech 225	165	09/17 -
DS 7 Crossback (J_)	2.0 BlueHDi 180	130	09/17 -

OPEL

Model	Tip	kW	An
COMBO Box Body/Estate (X19)	1.5 D	56	08/18 -
COMBO Box Body/Estate (X19)	1.5 D	75	08/18 -
COMBO Box Body/Estate (X19)	1.5 D	96	08/18 -
COMBO Box Body/Estate (X19)	1.6 D	55	06/18 -
COMBO Box Body/Estate (X19)	1.6 D	73	06/18 -
COMBO Life (X19)	1.2	81	06/18 -
COMBO Life (X19)	1.5	56	06/18 -
COMBO Life (X19)	1.5	75	06/18 -
COMBO Life (X19)	1.5	96	06/18 -
GRANDLAND X (A18)	1.2 (75)	96	06/17 -
GRANDLAND X (A18)	1.5 Turbo D (75)	96	04/18 -
GRANDLAND X (A18)	1.5 Turbo D (75)	75	06/18 -

GRANDLAND X (A18)	1.6 Turbo (75)	133	09/18 -
GRANDLAND X (A18)	1.6 Turbo D (75)	88	06/17 -
GRANDLAND X (A18)	2.0 D (75)	130	11/17 -
PEUGEOT			
Model	Tip	kW	An
3008 SUV (M_)	1.2 THP/ PureTech 130	96	05/16 -
3008 SUV (M_)	1.5 BlueHDi 130	96	02/18 -
3008 SUV (M_)	1.6 BlueHDi 100	73	11/16 -
3008 SUV (M_)	1.6 BlueHDi 115	85	11/16 -
3008 SUV (M_)	1.6 BlueHDi 120	88	05/16 -
3008 SUV (M_)	1.6 THP 165	121	05/16 -
3008 SUV (M_)	2.0 BlueHDi 136	100	11/16 -
3008 SUV (M_)	2.0 BlueHDi 150	110	05/16 -
3008 SUV (M_)	2.0 BlueHDi 180	130	01/18 -
3008 SUV (M_)	2.0 BlueHDi 180	133	05/16 -
308 Box Body / Hatchback (LB_)	1.6 BlueHDi 120 (LBBHZM)	88	03/15 -
308 Box Body / Hatchback (LB_)	1.6 e-HDi 115 (LB9HCG)	85	03/15 -
308 II	1.2 THP 110	81	11/13 -
308 II	1.2 THP 130	96	11/13 -
308 II	1.2 VTi 72	60	09/13 -
308 II	1.5 BlueHDi 100	75	05/18 -
308 II	1.5 BlueHDi 130	96	06/17 -
308 II	1.6	85	05/15 -
308 II	1.6	115	09/13 -
308 II	1.6 BlueHDi 120	88	11/13 -
308 II	1.6 GT 205	151	06/14 -
308 II	1.6 GTi	200	06/15 -
308 II	1.6 GTi	184	08/15 -
308 II	1.6 HDi	68	09/13 -
308 II	1.6 HDi / BlueHDi 115	85	09/13 -
308 II	1.6 HDi 100	73	04/14 -
308 II	1.6 THP	112	09/13 -

308 II	1.6 THP 125	92	09/13 -
308 II	1.6 THP 150	110	03/14 -
308 II	1.6 THP 163	120	06/14 -
308 II	2.0 BlueHDi 150	110	11/13 -
308 II	2.0 GT BlueHDi 180	133	06/14 -
308 II	2.0 GT BlueHDi 180	130	06/17 -
308 SWII	1.2 THP 110	81	03/14 -
308 SWII	1.2 THP 130	96	03/14 -
308 SWII	1.5 BlueHDi 100	75	04/18 -
308 SWII	1.5 BlueHDi 130	96	06/17 -
308 SWII	1.6 BlueHDi 100	73	04/14 -
308 SWII	1.6 BlueHDi 120	88	03/14 -
308 SWII	1.6 GT 205	151	02/15 -
308 SWII	1.6 HDi / BlueHDi 115	85	03/14 -
308 SWII	1.6 HDi 92	68	03/14 -
308 SWII	1.6 THP 125	92	03/14 -
308 SWII	1.6 THP 150	110	03/14 -
308 SWII	1.6 THP 155	115	03/14 -
308 SWII	1.6 VTi	85	03/14 -
308 SWII	2.0 BlueHDi 150	110	03/14 -
308 SWII	2.0 GT BlueHDi 180	132	06/17 -
308 SWII	2.0 GT HDi 180 / BlueHDi 180	133	06/14 -
308 SWII Box Body/Estate (LC_)	1.6 BlueHDi	73	04/14 -
407 (6D_)	2.0 HDi	120	06/09 12/10
407 SW (6E_)	2.0 HDi	120	06/09 12/10
5008 II	1.2	96	12/16 -
5008 II	1.5 BlueHDi 130	96	02/18 -
5008 II	1.6 BlueHDi 100	73	12/16 -
5008 II	1.6 BlueHDi 115	85	12/16 -
5008 II	1.6 BlueHDi 120	88	12/16 -

5008 II	1.6 THP 165	121	12/16 -
5008 II	2.0 BlueHDi 136	100	12/16 -
5008 II	2.0 BlueHDi 150	110	12/16 -
5008 II	2.0 BlueHDi 180	130	01/18 -
5008 II	2.0 BlueHDi 180	133	12/16 -
508 I (8D_)	1.6 BlueHDi 120	88	03/14 12/18
508 I (8D_)	1.6 HDi	84	02/12 12/18
508 I (8D_)	1.6 HDi	85	09/14 12/18
508 I (8D_)	1.6 HDi	82	11/10 12/18
508 I (8D_)	1.6 THP	120	01/12 12/18
508 I (8D_)	1.6 THP	121	09/11 12/18
508 I (8D_)	1.6 THP	110	11/10 12/18
508 I (8D_)	1.6 THP	115	11/10 12/18
508 I (8D_)	1.6 VTi	85	11/10 12/18
508 I (8D_)	1.6 VTi	88	11/10 12/18
508 I (8D_)	2.0 BlueHDi 150	110	04/14 12/18
508 I (8D_)	2.0 BlueHDi 180	133	04/14 12/18
508 I (8D_)	2.0 HDi	100	11/10 12/18
508 I (8D_)	2.0 HDi	103	11/10 12/18
508 I (8D_)	2.0 HDi	120	11/10 12/18
508 I (8D_)	2.0 HDi Hybrid4 AWC	120	11/10 12/18
508 I (8D_)	2.0 HDi Hybrid4 AWC	147	11/10 12/18
508 I (8D_)	2.2 HDi	150	11/10 12/18
508 II (FB_, FH_, F3_)	1.5 BlueHDi 130 (FBYHZJ, FBYHZR)	96	10/18 -
508 II (FB_, FH_, F3_)	1.6 PureTech 180 (F35GFR)	133	10/18 -
508 II (FB_, FH_, F3_)	1.6 PureTech 225 (F35GGR)	165	10/18 -
508 II (FB_, FH_, F3_)	2.0 BlueHDi 160 (FHEHYR)	120	10/18 -
508 II (FB_, FH_, F3_)	2.0 BlueHDi 180 (FHEHZR, FHEHZN)	130	10/18 -
508 SW Box Body/Estate (8E_)	1.6 HDi	84	03/13 -
508 SW Box Body/Estate (8E_)	2.0 HDi	103	03/13 -
508 SW Box Body/Estate (8E_)	2.0 HDi	120	03/13 -

508 SW Box Body/Estate (8E_)	2.2 HDi	150	11/11 -
508 SWI (8E_)	1.6	121	02/12 12/18
508 SWI (8E_)	1.6 BlueHDi 120	88	03/14 12/18
508 SWI (8E_)	1.6 HDi	84	02/12 12/18
508 SWI (8E_)	1.6 HDi	85	09/14 12/18
508 SWI (8E_)	1.6 HDi	82	11/10 12/18
508 SWI (8E_)	1.6 THP	110	11/10 12/18
508 SWI (8E_)	1.6 THP	115	11/10 12/18
508 SWI (8E_)	1.6 VTi	85	11/10 12/18
508 SWI (8E_)	1.6 VTi	88	11/10 12/18
508 SWI (8E_)	2.0 BlueHDi 150	110	04/14 12/18
508 SWI (8E_)	2.0 BlueHDi 180	133	04/14 12/18
508 SWI (8E_)	2.0 HDi	100	11/10 12/18
508 SWI (8E_)	2.0 HDi	103	11/10 12/18
508 SWI (8E_)	2.0 HDi	120	11/10 12/18
508 SWI (8E_)	2.0 HDi 180 RXH	133	10/14 12/18
508 SWI (8E_)	2.2 HDi	150	11/10 12/18
508 SWII (FC_, FJ_, F4_)	1.5 BlueHDi 130	96	09/18 -
508 SWII (FC_, FJ_, F4_)	1.6 PureTech 180	133	09/18 -
508 SWII (FC_, FJ_, F4_)	1.6 PureTech 225	165	09/18 -
508 SWII (FC_, FJ_, F4_)	2.0 BlueHDi 160	120	09/18 -
508 SWII (FC_, FJ_, F4_)	2.0 BlueHDi 180	130	09/18 -
RIFTER	1.2 PureTech 110	81	09/18 -
RIFTER	1.5 BlueHDi 100	75	09/18 -
RIFTER	1.5 BlueHDi 130	96	09/18 -
RIFTER	1.5 BlueHDi 75 (ECYHM)	55	09/18 -
PEUGEOT (DF-PSA)			
Model	Tip	kW	An
308S	1.2 THP	100	04/15 -
308S	1.6 THP	123	04/15 -
308S	1.6 VTi	86	04/15 -
508	1.6 THP	123	01/15 -

508	1.8 THP	150	01/15 -
508	2.0	108	07/11 12/17
508	2.3	126	07/11 12/15

VAUXHALL

Model	Tip	kW	An
COMBO Box Body/Estate	1.5 D	56	08/18 -
COMBO Box Body/Estate	1.5 D	75	08/18 -
COMBO Box Body/Estate	1.5 D	96	08/18 -
COMBO Box Body/Estate	1.6 D	55	06/18 -
COMBO Box Body/Estate	1.6 D	73	06/18 -
COMBO Mk IV (E) MPV (X19)	1.2	81	06/18 -
COMBO Mk IV (E) MPV (X19)	1.5	75	06/18 -
COMBO Mk IV (E) MPV (X19)	1.5	96	06/18 -
GRANDLAND X (A18)	1.2 Turbo (75)	96	06/17 -
GRANDLAND X (A18)	1.5 Turbo D (75)	96	04/18 -
GRANDLAND X (A18)	1.6 Turbo D (75)	88	06/17 -
GRANDLAND X (A18)	2.0 D (75)	130	10/17 -

Coduri OE

Coduri OE compatibile

CITROËN	424993
CITROËN	4249K1
OPEL	3641958
PEUGEOT	424993
PEUGEOT	4249K1