



BRAKE DISC MAX

09.C422.75

The 09.C422.75 Max brake disc is synonymous with reliability

The Brembo Max brake disc features grooves on the braking surface. The special shape of the grooves generates greater fading resistance and constant renewal of friction material, quickly restoring optimum braking conditions. The UV paint completes the sporty look.

- ✓ Brembo quality
- ✓ ECE-R90 certificate
- ✓ Performance
- ✓ Sports driving
- ✓ Sporty look
- ✓ Anti-corrosion



Technical specifications



EAN code
8020584237588

Axle
Front

Diameter Ø
278 mm

Thickness (TH)
23 mm

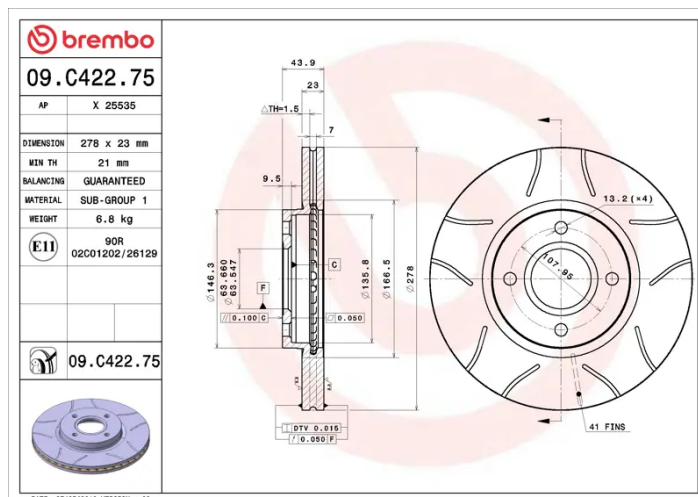
Height (A)
44 mm

Number of holes (C)
4

Brake disc type
Ventilated

Centering (B)
64 mm

Min. thickness
21 mm



COMPATIBLE VEHICLES

COMPATIBLE OE PART NUMBERS

1751584	FORD
1833857	FORD
1833867	FORD
AY111125AA	FORD
EY161125AA	FORD
EY161125BA	FORD
AY111125AA	FORD ASIA & OCEANIA
AY1Z1125A	FORD USA