



BRAKE DISC COMPOSITE

09.D897.23

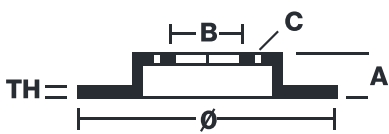
Composite brake disc 09.D897.23 belongs to Brembo Premium Line

The Composite brake disc is dedicated to the highest-performance BMW applications and is perfectly interchangeable with the original disc. It has an aluminium hat connected to the special cast iron braking surface by steel pins. This solution makes the disc lighter for improved handling of the car.

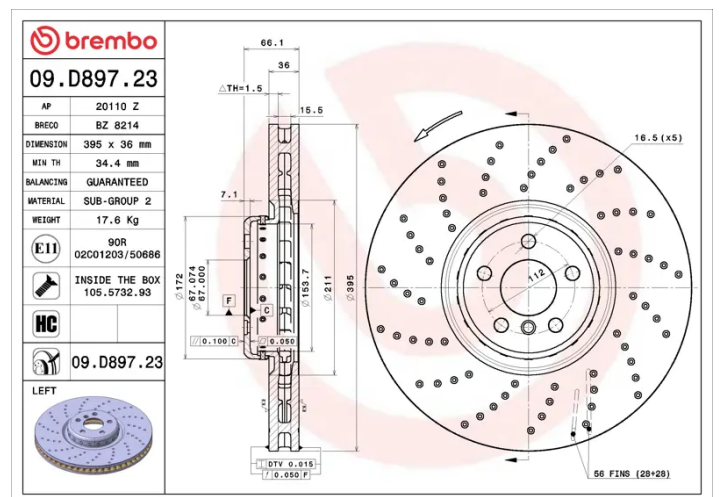


- ✓ OE-equivalent
- ✓ Brembo quality
- ✓ ECE-R90 certificate
- ✓ Weight reduction
- ✓ High carbon
- ✓ Bi-Material Brake Disc
- ✓ Anti-corrosion
- ✓ Fastening screws
- ✓ Fading resistance

Technical specifications



EAN code 8020584238271	Axle Front left	Diameter Ø 395 mm
Thickness (TH) 36 mm	Height (A) 66 mm	Number of holes (C) 5
Brake disc type Ventilated	Centering (B) 67 mm	Min. thickness 34,4 mm



COMPATIBLE OE PART NUMBERS

34106887657

BMW

34116878045

BMW
