

# Disc 09.N124.10

 **brembo**  
AFTERMARKET

## Specificații tehnice disc

**Osie** Anterioară

**Diametru**  
302 mm

**Înălțime totală (A)**  
38 mm

**Diametru de centrare (B)**  
72,5 mm

**Număr orificii (C)**  
5

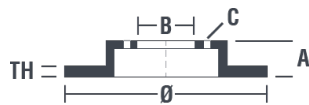
**Grosime (TH)**  
28 mm

**Grosime min.**  
26,4 mm

**Cuplu de strângere**   
129 Nm

**Unități per cutie**  
2

**Cod EAN**  
8020584029312

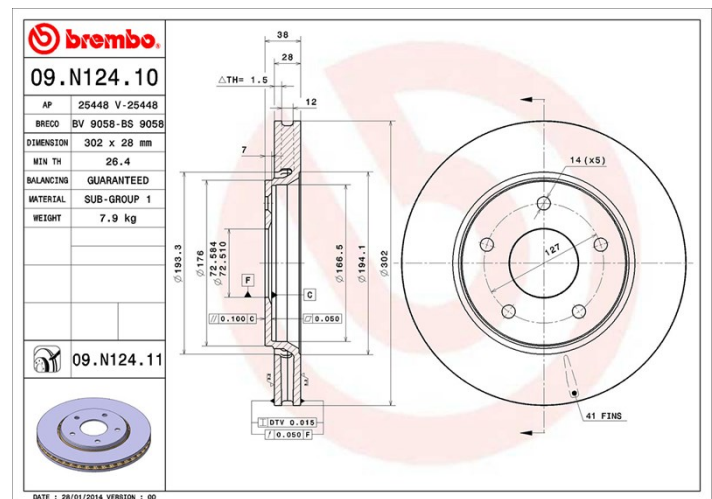


## Coduri mărci

**Brembo**  
09.N124.10

**AP**  
25448

**Breco**  
BS 9058



## Specificații tehnice

## Autovehicule compatibile

### CHRYSLER

Model	Tip	kW	An
GRAND VOYAGER V (RT)	2.8 CRD	132	09/12 -
GRAND VOYAGER V (RT)	2.8 CRD	120	10/07 -
GRAND VOYAGER V (RT)	2.8 CRD	120	10/07 -
GRAND VOYAGER V (RT)	3.3	125	01/08 -
GRAND VOYAGER V (RT)	3.6	208	02/11 -
GRAND VOYAGER V (RT)	3.6	211	02/11 -
GRAND VOYAGER V (RT)	3.8	142	10/07 -

### FIAT

Model	Tip	kW	An
-------	-----	----	----

FREEMONT (345_)	2.0 JTD	100	08/11 -
FREEMONT (345_)	2.0 JTD	103	08/11 -
FREEMONT (345_)	2.0 JTD	120	08/11 -
FREEMONT (345_)	2.0 JTD	125	08/11 -
FREEMONT (345_)	2.0 JTD 4x4	120	08/11 -
FREEMONT (345_)	2.0 JTD 4x4	125	08/11 -
FREEMONT (345_)	2.4	125	08/11 -
FREEMONT (345_)	2.4	129	08/12 -

## Coduri OE

### Coduri OE compatibile

CHRYSLER	4721933AB
CHRYSLER	4721995AA
CHRYSLER	4779783AA
CHRYSLER	4779783AB
FIAT	K04721995AA
FIAT	K04721995AB