

Tambur 14.3281.10

 **brembo**
AFTERMARKET

Specificații tehnice tambur

Osie Posterioară

Diametru (Ø)
255,00 mm

Diametru max (Diametru max)
256,50 mm

Diametru max
256,50 mm

Lățime
55,50 mm

Diametru de centrare (B)
93 mm

Înălțime totală (C)
70,50 mm

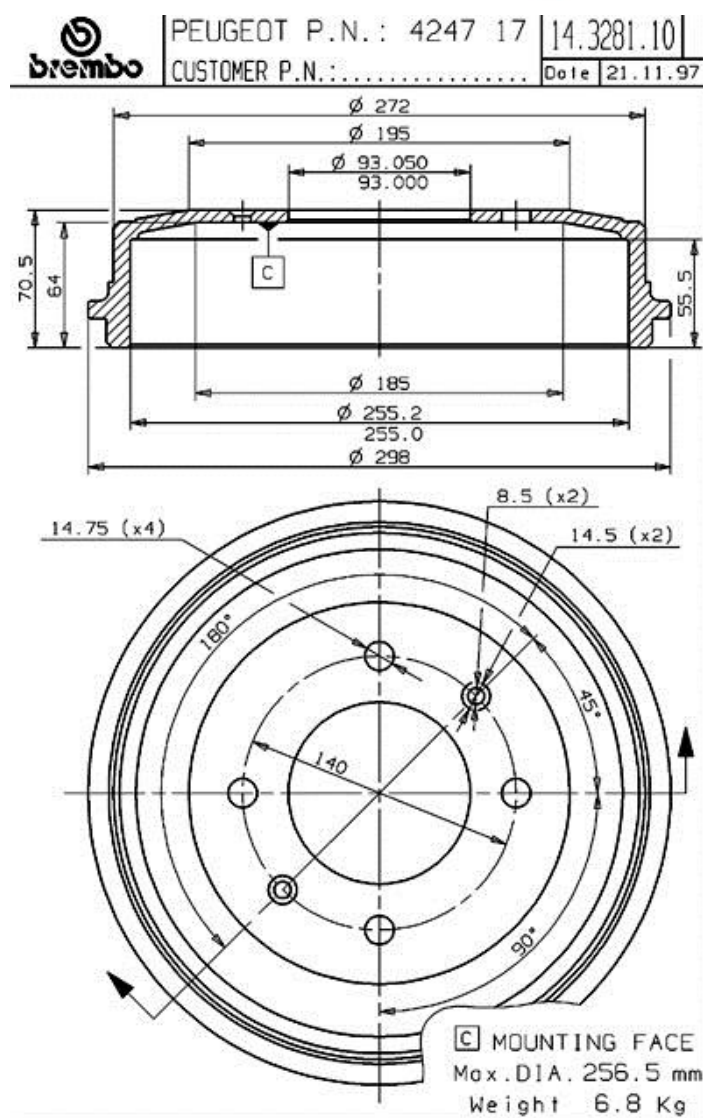
Număr orificii (D)
4,00

Sistem de frânare

Cod EAN
8020584328118



 **brembo**



Autovehicule compatibile

PEUGEOT

Model	Tip	kW	An
504 (A_, M_)	1.8 (A01, A03)	60	07/68 02/71

504 (A_, M_)	1.8 (M03)	58	01/71 06/83
504 (A_, M_)	1.8 Injection (A02)	71	07/68 02/71
504 (A_, M_)	1.9 D (M20)	40	03/73 07/86
504 (A_, M_)	2.0	69	09/79 08/82
504 (A_, M_)	2.0 (A1, A13, MY1, MY3)	71	03/71 06/86
504 (A_, M_)	2.0 TI (A12, A14)	78	01/71 06/83
504 (A_, M_)	2.1 D	43	09/79 08/82
504 (A_, M_)	2.1 D	49	09/79 08/82
504 (A_, M_)	2.1 D (A20, M20)	48	02/71 07/86
504 (A_, M_)	2.3 D (A40, A45)	51	07/75 12/83
504 Convertible	2.0	75	10/74 08/82
504 Coupe	2.0	75	10/74 08/82
505 (551A)	1.8	60	01/82 10/85
505 (551A)	1.8	55	06/81 10/85
505 (551A)	1.8	62	09/85 10/86
505 (551A)	2.0	79	05/79 03/82
505 (551A)	2.0	69	09/83 09/85
505 (551A)	2.0	72	09/85 09/95
505 (551A)	2.0	71	11/80 12/85
505 (551A)	2.0 TI,STI	81	08/79 10/86
505 (551A)	2.2	85	05/81 10/84
505 (551A)	2.5 Diesel	55	06/81 12/93
505 (551A)	2.5 Turbo Diesel	77	10/86 12/93

TALBOT

Model	Tip	kW	An
TAGORA	2.1	85	06/80 12/83
TAGORA	2.3 Turbo Diesel	59	08/81 12/87
TAGORA	2.6	122	08/81 10/83

Coduri OE

Coduri OE compatibile

PEUGEOT	424717
TALBOT	424717