

Tambur 14.4730.10



Specificații tehnice tambur

Osie Posterioară

Diametru (Ø)
254,00 mm

Diametru max (Diametru max)
255,50 mm

Diametru max
255,50 mm

Lățime
66,50 mm

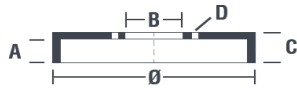
Diametru de centrare (B)
67 mm

Înălțime totală (C)
78,00 mm

Număr orificii (D)
5,00

Sistem de frânare

Cod EAN
8020584473016

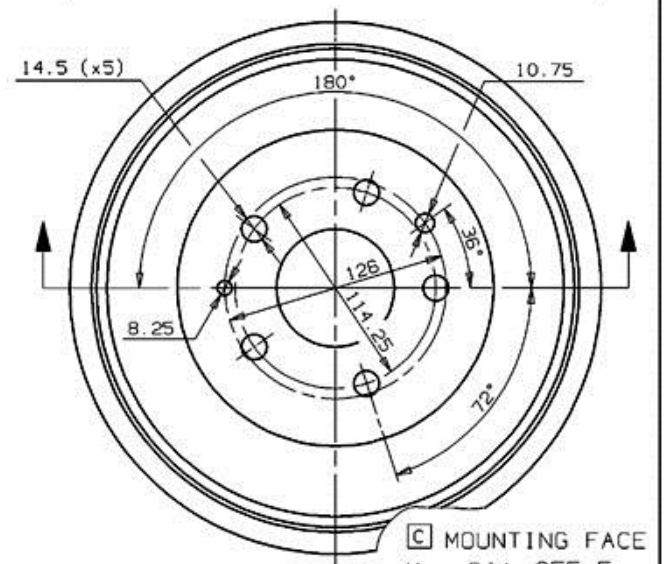
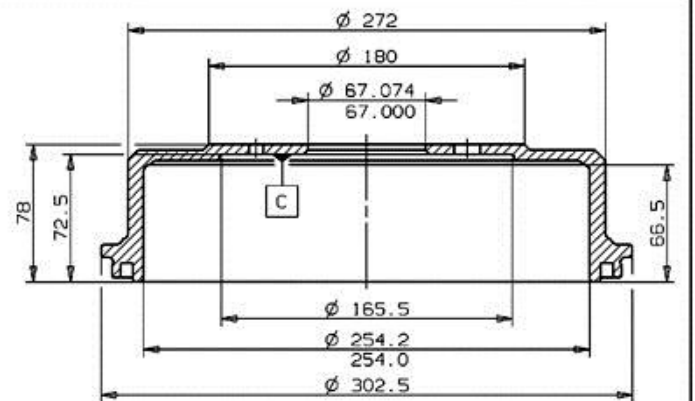


TOYOTA P.N.: 42431-35030

14.4730.10

CUSTOMER P.N.:

Date 03.03.97



☐ MOUNTING FACE
Max. DIA. 255.5 mm
Weight 7 Kg

Autovehicule compatibile

TOYOTA

Model	Tip	kW	An
HIACE I Box (RH1_, LH3_, RH3_, RH2_, LH2_, LH1_)	1.6 (RH20-30)	49	02/77 03/83
HIACE I Box (RH1_, LH3_, RH3_, RH2_, LH2_, LH1_)	2.0 (RH25-32)	65	07/77 03/83

HIACE I Box (RH1_, LH3_, RH3_, RH2_, LH2_, LH1_)	2.2 D (LH20-30)	46	01/79 03/83
HIACE I Wagon (LH1_, RH1_, LH3_, RH3_, LH2_, RH2_)	1.6 (RH20_, RH30_)	49	02/77 11/82
HIACE II Box (LH5_, YH7_, LH7_, LH6_, YH6_, YH5_)	1.8 (YN5_, YH50_, YH60_)	58	12/82 07/89
HIACE II Box (LH5_, YH7_, LH7_, LH6_, YH6_, YH5_)	2.0 (YH6_, YN5)	65	12/82 07/89
HIACE II Box (LH5_, YH7_, LH7_, LH6_, YH6_, YH5_)	2.2 D (LH7_, LH5_, LH3_, LH50_, LH60_)	49	12/82 11/89
HIACE II Bus (_H11, _H2_, _H3_, _H4_)	2.2 D (LH20, LH30)	49	09/79 10/82
HIACE II Wagon (LH7_, LH5_, LH6_, YH7_, YH6_, YH5_)	1.8 (H5G)	58	03/83 11/89
HIACE II Wagon (LH7_, LH5_, LH6_, YH7_, YH6_, YH5_)	2.0 (YH51_, YH61_)	65	01/85 08/89
HIACE II Wagon (LH7_, LH5_, LH6_, YH7_, YH6_, YH5_)	2.2 D (H5G)	49	03/83 11/89
HILUX III Pickup (_N3_, _N4_)	1.6 (RN4_, RN3_)	49	08/78 07/83
HILUX IV Pickup (_N5_, _N6_)	2.2 (YN58)	69	08/83 12/89
HILUX IV Pickup (_N5_, _N6_)	2.2 4WD (YN6_)	69	11/85 12/89
HILUX IV Pickup (_N5_, _N6_)	2.2 D (LN4, LN5_)	49	08/83 08/84
HILUX IV Pickup (_N5_, _N6_)	2.2 D 4WD (LN50_, LN55_)	49	11/82 08/84
HILUX IV Pickup (_N5_, _N6_)	2.4 D 4WD (LN65_)	55	08/83 07/88
HILUX V Pickup (_N_, KZN1_, VZN1_)	1.8 (YN5_, YN8_, YN85)	61	09/88 06/98
HILUX V Pickup (_N_, KZN1_, VZN1_)	2.4 D (LN5_, LN85, LN90)	55	10/88 07/97
HILUX V Pickup (_N_, KZN1_, VZN1_)	2.4 D (LN5_, LN85_, LN90_, LN14_, LN15_)	59	10/91 07/97
HILUX V Pickup (_N_, KZN1_, VZN1_)	2.4 D (LN85_, LN110, Ln90)	61	09/88 08/97
HILUX V Pickup (_N_, KZN1_, VZN1_)	2.4 D (LN90_)	58	03/95 08/97
HILUX V Pickup (_N_, KZN1_, VZN1_)	2.4 D 4WD (LN1_)	61	09/88 08/97
HILUX V Pickup (_N_, KZN1_, VZN1_)	2.4 D 4WD (LN110_)	58	01/94 12/97
HILUX V Pickup (_N_, KZN1_, VZN1_)	2.4 i 4WD (RN106_, RN110_)	84	01/89 07/97
HILUX VI Pickup (_N1_)	2.4	107	08/97 07/05
HILUX VI Pickup (_N1_)	2.4 D (LN150, LN145)	55	08/97 04/05
HILUX VI Pickup (_N1_)	2.4 i 4WD (RZN14_, RZN16_, RZN19_)	103	08/97 10/05
HILUX VI Pickup (_N1_)	2.4 TD 4WD (LN165_, LN170_, LN190_)	66	08/98 01/02
HILUX VI Pickup (_N1_)	2.5 D-4D (KDN145, KDN150)	65	11/01 07/05
HILUX VI Pickup (_N1_)	2.5 D-4D 4WD (KDN165_, KDN170_, KDN190_)	75	11/01 07/05
HILUX VI Pickup (_N1_)	2.7 (RZN154, RZN149)	107	01/98 07/04

HILUX VI Pickup (_N1_)	2.8 D 4WD (LN107)	61	08/94 12/97
HILUX VI Pickup (_N1_)	3.0 D 4WD (LN172, LN167)	67	08/97 07/05

VW

Model	Tip	kW	An
TARO	1.8	61	04/89 09/94
TARO	2.2	69	06/89 07/94
TARO	2.4 D	61	06/89 03/97
TARO	2.4 D	58	07/94 03/97
TARO	2.4 D	59	09/91 07/94

Coduri OE

Coduri OE compatibile

TOYOTA	4243135030
TOYOTA	4243135130
TOYOTA	4243135190
VW	J4243135190