

Tambur 14.5594.10



Specificații tehnice tambur

Osie Posterioară

Diametru (Ø)
165,00 mm

Diametru max (Diametru max)
166,00 mm

Diametru max
166,00 mm

Lățime
38,50 mm

Diametru de centrare (B)
56 mm

Înălțime totală (C)
58,00 mm

Număr orificii (D)
3,00

Sistem de frânare

Cod EAN
8020584559413

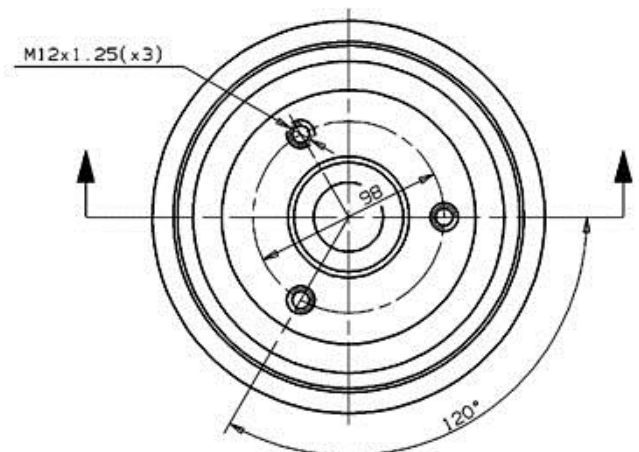
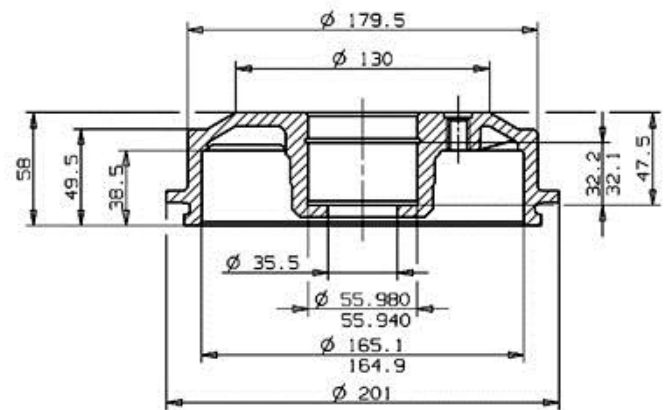


CITROEN P.N.: 95619206

14.5594.10

CUSTOMER P.N.:

Date 10.07.96



Max. DIA. 166 mm
Weight 3.4 Kg

Autovehicule compatibile

CITROËN

Model	Tip	kW	An
AX (ZA-)	1.3 Sport	70	04/87 12/88
AX (ZA-)	1.4 Allure	48	08/92 04/94

AX (ZA-_)	1.4 D 4x4	39	06/91 07/92
AX (ZA-_)	10	37	02/87 12/98
AX (ZA-_)	10	33	07/86 12/98
AX (ZA-_)	10	32	09/86 06/92
AX (ZA-_)	10 E	30	12/86 12/88
AX (ZA-_)	11	44	09/86 12/97
AX (ZA-_)	11	40	12/86 04/94
AX (ZA-_)	11 Cat (ZA_)	40	09/88 12/89
AX (ZA-_)	14	61	01/88 12/92
AX (ZA-_)	14	62	01/88 12/92
AX (ZA-_)	14	51	01/89 12/91
AX (ZA-_)	14	49	06/88 12/89
AX (ZA-_)	14	44	12/86 12/88
AX (ZA-_)	14 (ZA)	55	04/87 04/97
AX (ZA-_)	14 D	37	08/91 12/97
AX (ZA-_)	14 D	38	09/88 06/92
AX (ZA-_)	15 D	40	08/94 12/97
AX (ZA-_)	15 D	43	08/94 12/97
AX (ZA-_)	Electric	25	04/93 10/96
AX (ZA-_)	Electric	28	11/96 04/97
SAXO (S0, S1)	1.0 X	33	05/96 11/98
SAXO (S0, S1)	1.0 X	37	05/98 06/03
SAXO (S0, S1)	1.1 X,SX	40	05/96 09/03
SAXO (S0, S1)	1.1 X,SX	44	05/96 09/03
SAXO (S0, S1)	1.5 D	43	07/01 04/04
SAXO (S0, S1)	1.5 D	42	09/96 06/01
SAXO (S0, S1)	1.5 D	40	09/96 09/03
PEUGEOT			
Model	Tip	kW	An
106 I (1A, 1C)	1.0	33	09/91 04/96
106 I (1A, 1C)	1.0	37	09/91 04/96
106 I (1A, 1C)	1.1	44	09/91 04/96

106 II (1A_, 1C_)	1.0 i	37	04/96 03/01
106 II (1A_, 1C_)	1.0 i	33	05/96 10/99
106 II (1A_, 1C_)	1.1 i	40	01/97 03/01
106 II (1A_, 1C_)	1.1 i	44	05/96 07/04
106 Van II Box Body / Hatchback (1S_)	1.0	33	04/96 03/01
106 Van II Box Body / Hatchback (1S_)	1.5 D	42	06/96 03/01

Coduri OE

Coduri OE compatibile

CITROËN	424742
CITROËN	9430655421
CITROËN	95619206
PEUGEOT	424733
PEUGEOT	424742
PEUGEOT	424743