

Tambur 14.5606.10

 **brembo**
AFTERMARKET

Specificații tehnice tambur

Osie Posterioară

Diametru (\emptyset)
180,00 mm

Diametru max (Diametru max)
181,00 mm

Diametru max
181,00 mm

Lățime
39,00 mm

Diametru de centrare (B)
42-47 mm

Înălțime totală (C)
64,50 mm

Număr orificii (D)
3,00

Sistem de frânare

Cod EAN
8020584560617

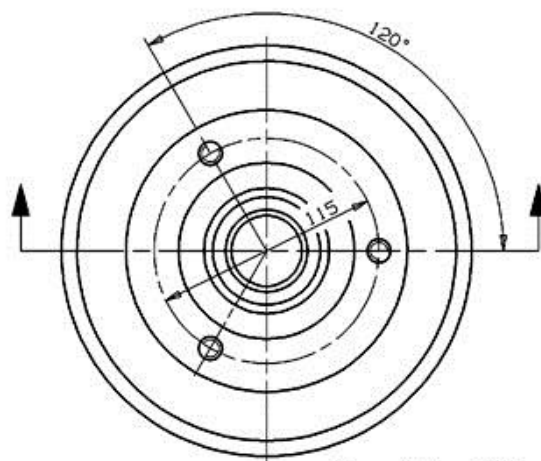
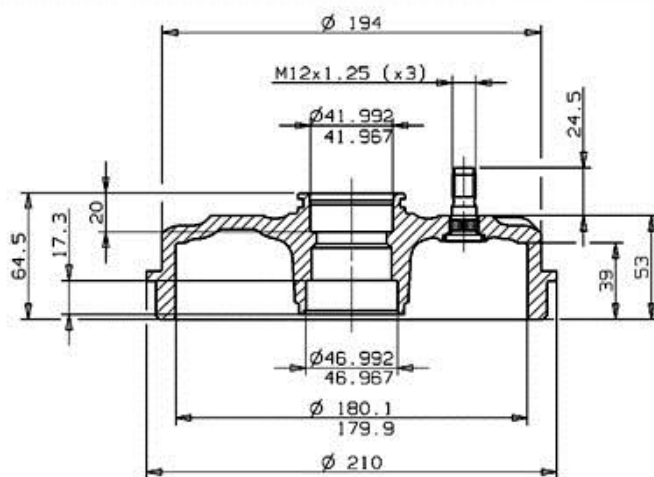


 **brembo**

 **brembo**

TALBOT P.N.: ZF 4247.21
PEUGEOT P.N.: 4247.21
CITROEN P.N.: 91502484
CUSTOMER P.N.:

14.5606.10
Data 13.01.97



Max. DIA. 181 mm
Weight 3.7 Kg

Autovehicule compatibile

CITROËN

Model	Tip	kW	An
LNA	0.6	25	07/82 04/85

LNA	0.6	24	11/76 07/79
LNA	0.6	26	11/78 07/86
LNA	1.0	33	07/84 10/86
LNA	1.1	37	07/82 04/85
VISA	0.6	24	07/82 03/91
VISA	0.6	25	09/78 06/88
VISA	1.0	33	09/84 06/88
VISA	11 E	37	07/82 03/91
VISA	11 E	42	09/78 03/91
VISA	11 E	35	09/78 06/88
VISA	14	44	07/84 03/91
VISA	14 GT	55	03/82 03/87
VISA	14 GT	58	03/82 03/91
VISA	II Super X	47	07/80 06/82
VISA Convertible	11 RE	37	03/83 10/88

PEUGEOT

Model	Tip	kW	An
104	0.9	33	10/79 10/83
104	1.0	32	09/83 06/88
104	1.1	42	07/76 08/82
104	1.1	37	08/80 06/88
104	1.2	42	08/79 06/83
104	1.4	53	08/79 06/83
104 Coupe	0.9	33	09/73 10/83
104 Coupe	1.1	49	08/75 06/80
104 Coupe	1.1	42	08/79 06/83
104 Coupe	1.1	37	08/79 06/88
104 Coupe	1.4	53	08/79 06/84

TALBOT

Model	Tip	kW	An
SAMBA (51A)	0.9	31	01/81 12/85
SAMBA (51A)	1.1	37	01/81 06/86
SAMBA (51A)	1.2 Rallye	65	01/83 10/86
SAMBA (51A)	1.4	53	01/81 06/86

SAMBA (51A)	1.4	44	06/83 10/86
SAMBA (51A)	1.4 Rallye	58	01/83 10/86
SAMBA Convertible (51E)	1.4	58	01/81 06/86

Coduri OE

Coduri OE compatibile

CITROËN	91502484
PEUGEOT	424721
TALBOT	9150248480