

Tambur 14.6776.10



Specificații tehnice tambur

Osie Posterioară

Diametru (Ø)
203,00 mm

Diametru max (Diametru max)
204,00 mm

Diametru max
204,00 mm

Lățime
45,50 mm

Diametru de centrare (B)
61 mm


Înălțime totală (C)
62,50 mm

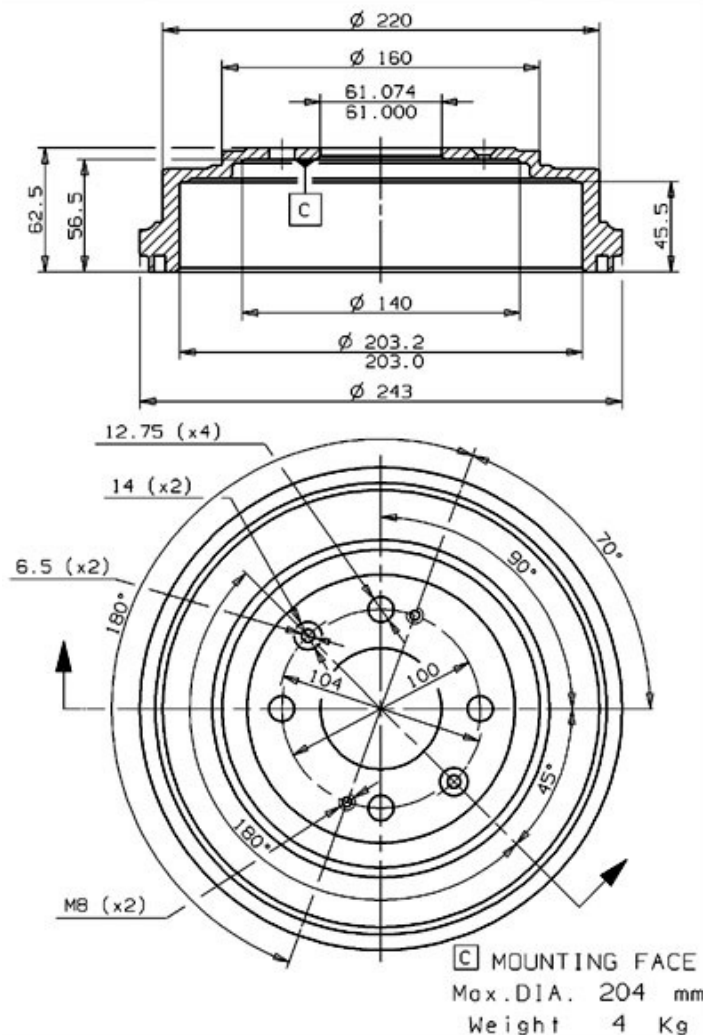
Număr orificii (D)
4,00

Sistem de frânare

Cod EAN
8020584677612



 HONDA P.N.: 42610-SK3-E10 | 14.6776.10 |
CUSTOMER P.N.: Date 10.11.97



Autovehicule compatibile

HONDA

Model	Tip	kW	An
CIVIC VI Aerodeck (MB, MC)	1.4 16V (MB8)	55	04/98 02/01

CIVIC VI Aerodeck (MB, MC)	1.4 16V (MB8)	66	04/98 02/01
CIVIC VI Aerodeck (MB, MC)	1.5 16V (MB9)	84	04/98 02/01
CIVIC VI Aerodeck (MB, MC)	1.6 16V (MC1)	85	04/98 02/01
CIVIC VI Fastback (MA, MB)	1.4 i (MA8, MB2)	66	06/95 02/01
CIVIC VI Fastback (MA, MB)	1.4 i (MA8, MB2)	55	09/95 02/01
CIVIC VI Fastback (MA, MB)	1.5 16V (MB3)	84	01/97 02/01
CIVIC VI Fastback (MA, MB)	1.5 i Vtec-E (MA9)	66	09/94 01/97
CIVIC VI Fastback (MA, MB)	1.6 16V (MB4)	85	01/97 02/01
CIVIC VI Fastback (MA, MB)	1.6 i (MB1)	83	09/94 01/97
CONCERTO (HW, MA)	1.4	66	08/89 10/91
CONCERTO (HW, MA)	1.4	61	10/89 10/92
CONCERTO (HW, MA)	1.5 i 16V	66	08/89 03/95
CONCERTO (HW, MA)	1.6	96	10/89 10/92
CONCERTO (HW, MA)	1.6 16V	78	08/89 03/95
CONCERTO (HW, MA)	1.6 i 16V	82	08/89 03/95
CONCERTO (HW, MA)	1.6 i 16V	90	08/89 03/95
CONCERTO Saloon (HWW)	1.4	66	08/89 10/91
CONCERTO Saloon (HWW)	1.4	61	10/89 10/92
CONCERTO Saloon (HWW)	1.5 i 16V	66	08/89 05/95

Coduri OE

Coduri OE compatibile

HONDA 42610SK3E10