

Tambur 14.7096.10

brembo
AFTERMARKET

Specificații tehnice tambur

Osie Posterioară

Diametru (Ø)
254,00 mm

Diametru max (Diametru max)
256,00 mm

Diametru max
256,00 mm

Lățime
62,00 mm

Diametru de centrare (B)
93,5 mm

Înălțime totală (C)
83,00 mm

Număr orificii (D)
6,00

Sistem de frânare

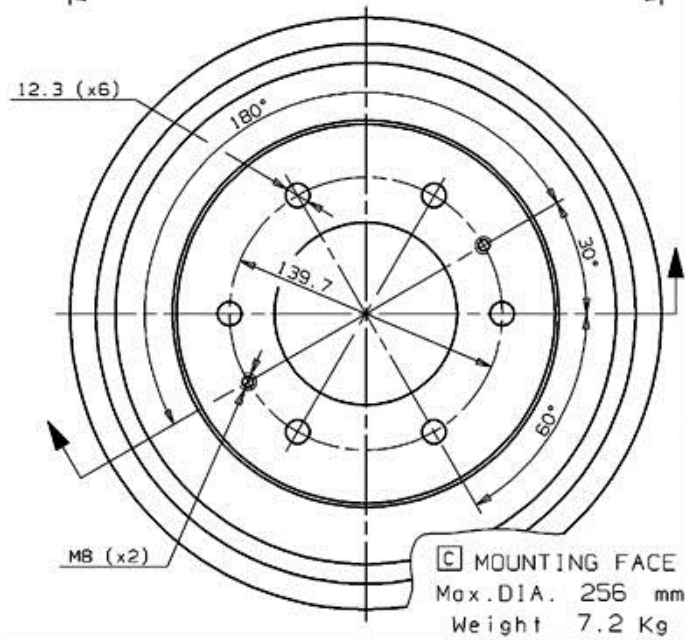
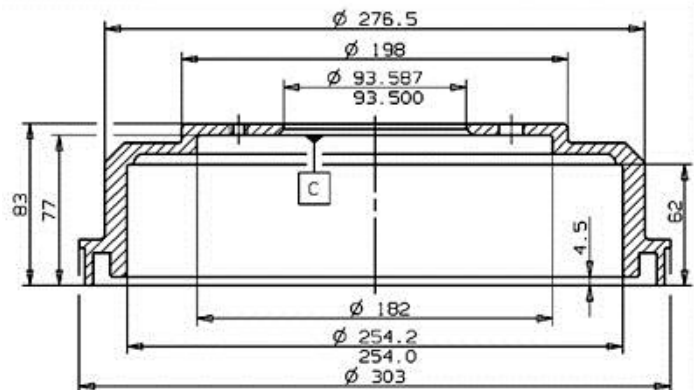
Cod EAN
8020584709610



brembo



MITSUBISHI P.N.: MB 950951-MB 534245
MB 534235-MB 193596
14.7096.10
CUSTOMER P.N.:
Data 18.11.97



Autovehicule compatibile

MITSUBISHI

Model	Tip	kW	An
L 200 (K3_T, K2_T, K1_T, K0_T)	2.0 (K12T, K32T)	75	11/86 08/96
L 200 (K3_T, K2_T, K1_T, K0_T)	2.0 4WD (K32T, K22T)	75	11/86 08/96

L 200 (K3_T, K2_T, K1_T, K0_T)	2.5 D (K14T)	51	11/86 10/96
L 200 (K3_T, K2_T, K1_T, K0_T)	2.5 D 4WD (K24T)	51	12/87 05/93
L 200 (K3_T, K2_T, K1_T, K0_T)	2.5 TD 4WD (K34T)	64	11/92 08/96
L 200 (K3_T, K2_T, K1_T, K0_T)	2.6 4WD (K33T)	76	11/89 05/95
L 200 (K7_T, K6_T)	2.0 (K62T)	90	06/96 12/07
L 200 (K7_T, K6_T)	2.5 D (K64T)	55	06/96 12/07
L 200 (K7_T, K6_T)	2.5 TD (K64T)	66	08/01 11/05
L 300 / DELICA II Box (L03_P)	1.6 (L032P, L062P)	48	05/80 10/86
L 300 / DELICA II Box (L03_P)	2.3 D (L038P, L068P)	50	09/83 10/86
L 300 / DELICA II Bus (L03_P/G, L0_2P)	1.6 (L032P, L062P)	48	09/81 10/86
L 300 / DELICA II Bus (L03_P/G, L0_2P)	1.6 (L032P, L062P)	51	11/84 02/87
L 300 / DELICA II Bus (L03_P/G, L0_2P)	1.8 4WD (L035G)	60	08/84 02/87
L 300 / DELICA II Bus (L03_P/G, L0_2P)	2.0 4WD (L037G)	65	11/86 02/87
L 300 / DELICA II Bus (L03_P/G, L0_2P)	2.3 D (L038P)	50	04/83 10/86
L 300 / DELICA II Platform/Chassis (L03_P)	1.6 (L032P, L062P)	51	04/83 04/94
L 300 / DELICA II Platform/Chassis (L03_P)	2.5 D (L039P)	51	11/86 04/94
L 300 III Box (P0_V, P1_V, P_2V)	1.6 (P12V, P02V)	51	11/86 05/94
L 300 III Box (P0_V, P1_V, P_2V)	2.0 (P03V, P13V)	64	11/86 05/96
L 300 III Box (P0_V, P1_V, P_2V)	2.0 (P23V, P03V, P13V)	78	06/94 05/96
L 300 III Box (P0_V, P1_V, P_2V)	2.0 (P23W, P23V)	82	06/94 05/02
L 300 III Box (P0_V, P1_V, P_2V)	2.0 (P23W, P23V)	65	11/86 07/88
L 300 III Box (P0_V, P1_V, P_2V)	2.0 4WD (P23W, P23V)	63	08/88 05/94
L 300 III Box (P0_V, P1_V, P_2V)	2.4 (P24V, P24W)	82	11/86 08/97
L 300 III Box (P0_V, P1_V, P_2V)	2.5 D (P05V, P05W, P15V)	51	11/86 02/06
L 300 III Box (P0_V, P1_V, P_2V)	2.5 TD 4WD	64	11/91 05/03
L 300 III Bus (P0_W, P1_W, P2_W)	1.6 (P02W, P12W)	51	11/86 05/04
L 300 III Bus (P0_W, P1_W, P2_W)	2.0 (P03W, P13W)	64	11/86 05/04
L 300 III Bus (P0_W, P1_W, P2_W)	2.0 (P03W, P13W)	66	11/86 05/04
L 300 III Bus (P0_W, P1_W, P2_W)	2.0 4WD (P23W, P03W, P13W)	66	11/86 05/04
L 300 III Bus (P0_W, P1_W, P2_W)	2.0 4WD (P23W, P03W, P13W)	65	12/86 05/04
L 300 III Bus (P0_W, P1_W, P2_W)	2.0 i (P00W, P03W, P13W)	83	06/94 10/98

L 300 III Bus (P0_W, P1_W, P2_W)	2.4 (P04W, P14W)	82	11/90 05/04
L 300 III Bus (P0_W, P1_W, P2_W)	2.4 4WD (P24W)	82	08/86 05/04
L 300 III Bus (P0_W, P1_W, P2_W)	2.4 4WD (P24W)	80	11/86 12/90
L 300 III Bus (P0_W, P1_W, P2_W)	2.5 D (P05W, P15W, P25W)	51	11/86 05/04
L 300 III Bus (P0_W, P1_W, P2_W)	2.5 TD 4WD (P25W)	64	11/88 05/04
L 300 III Platform/Chassis (P1_T)	2.0 (P13T)	85	07/94 04/00
L 300 III Platform/Chassis (P1_T)	2.5 TD (P15T)	64	11/94 04/00
PAJERO I (L04_G, L14_G)	2.0 4WD	81	01/83 02/91
PAJERO I (L04_G, L14_G)	2.0 Turbo 4WD	107	10/84 02/91
PAJERO I (L04_G, L14_G)	2.3 D (L049GW, L044GV)	62	10/84 09/86
PAJERO I (L04_G, L14_G)	2.5 TD (L044G, L049G)	64	04/87 12/91
PAJERO I (L04_G, L14_G)	2.5 TD (L044G, L049G)	70	11/89 11/90
PAJERO I (L04_G, L14_G)	3.0 V6 (L141G, L146G)	104	11/88 11/90
PAJERO I Canvas Top (L04_G)	2.3 TD (L043G, L048G)	62	12/82 04/86
PAJERO I Canvas Top (L04_G)	2.5 TD (L044G, L049G)	62	05/86 10/89
PAJERO I Canvas Top (L04_G)	2.5 TD (L044G, L049G)	70	11/89 11/90
PAJERO I Canvas Top (L04_G)	2.6 (L042G, L047G)	76	01/83 11/90

Coduri OE

Coduri OE compatibile

DODGE	MB193596
DODGE	MB534245
MITSUBISHI	MB193596
MITSUBISHI	MB534245
MITSUBISHI	MB950951
PLYMOUTH	MB193596
PLYMOUTH	MB534235
PLYMOUTH	MB534245