

Tambur 14.7248.10



Specificații tehnice tambur

Osie Posterioară

Diametru (\emptyset)
203,00 mm

Diametru max (Diametru max)
204,50 mm

Diametru max
204,50 mm

Lățime
48,50 mm

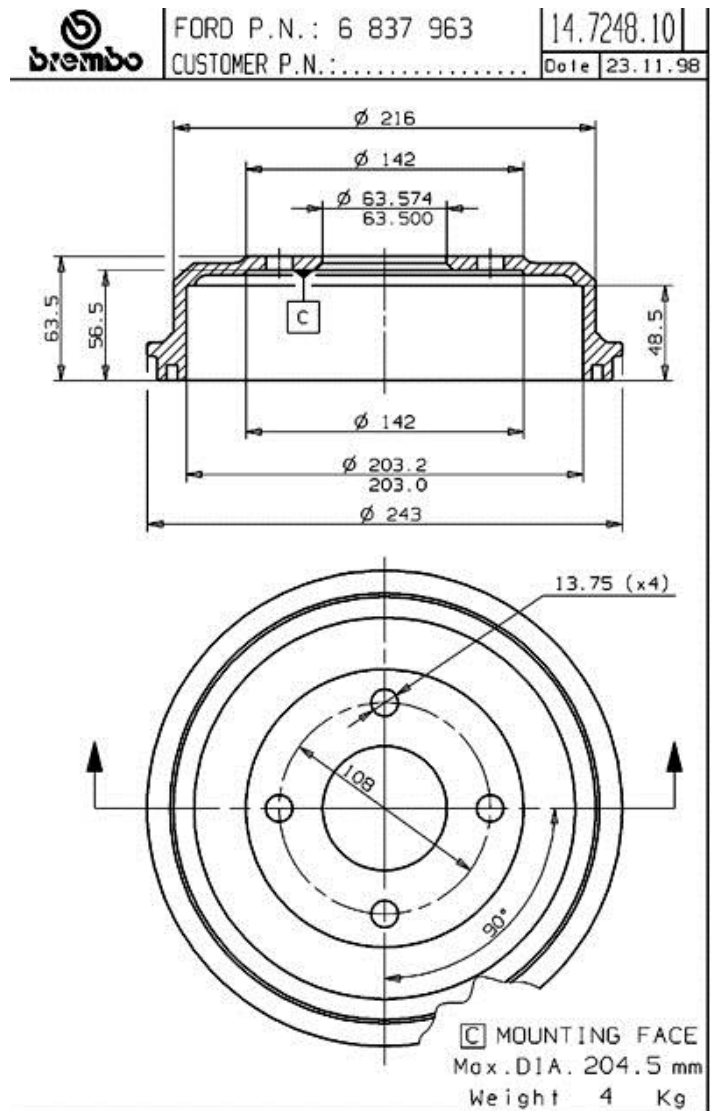
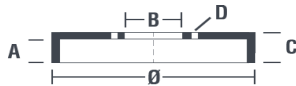
Diametru de centrare (B)
63,5 mm

Înălțime totală (C)
63,50 mm

Număr orificii (D)
4,00

Sistem de frânare

Cod EAN
8020584724811



Autovehicule compatibile

FORD

Model	Tip	kW	An
MONDEO I (GBP)	1.6 i 16V	66	02/93 08/96

MONDEO I (GBP)	1.6 i 16V	65	07/94 08/96
MONDEO I (GBP)	1.8 i 16V	85	02/93 08/96
MONDEO I (GBP)	1.8 i 16V	82	07/94 08/96
MONDEO I (GBP)	1.8 i 16V 4x4	85	02/93 08/96
MONDEO I Saloon (GBP)	1.6 i 16V	66	02/93 08/96
MONDEO I Saloon (GBP)	1.6 i 16V	65	07/94 08/96
MONDEO I Saloon (GBP)	1.8 i 16V	82	01/94 08/96
MONDEO I Saloon (GBP)	1.8 i 16V	85	02/93 08/96
MONDEO II (BAP)	1.6 i	66	08/96 09/00
MONDEO II (BAP)	1.6 i 16V	70	05/98 09/00
MONDEO II (BAP)	1.8 i	85	08/96 09/00
MONDEO II (BAP)	1.8 TD	66	08/96 09/00
MONDEO II (BAP)	2.0 i	96	08/96 09/00
MONDEO II Saloon (BFP)	1.6 i	66	08/96 09/00
MONDEO II Saloon (BFP)	1.6 i 16V	70	05/98 09/00
MONDEO II Saloon (BFP)	1.8 i	85	08/96 09/00
MONDEO II Saloon (BFP)	1.8 TD	66	08/96 09/00
MONDEO II Saloon (BFP)	2.0 i	96	08/96 09/00

Coduri OE

Coduri OE compatibile

FORD 6837963