

# Tambur 14.7253.10



## Specificații tehnice tambur

**Osie** Posterioară

**Diametru (Ø)**  
254,00 mm

**Diametru max** (Diametru max)  
256,00 mm

**Diametru max**  
256,00 mm

**Lățime**  
63,50 mm

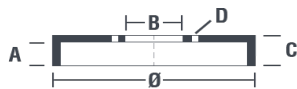
**Diametru de centrare (B)**  
67 mm

**Înălțime totală (C)**  
72,00 mm

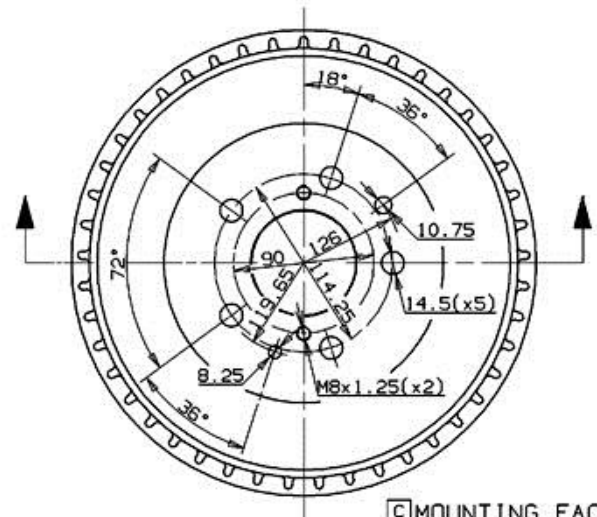
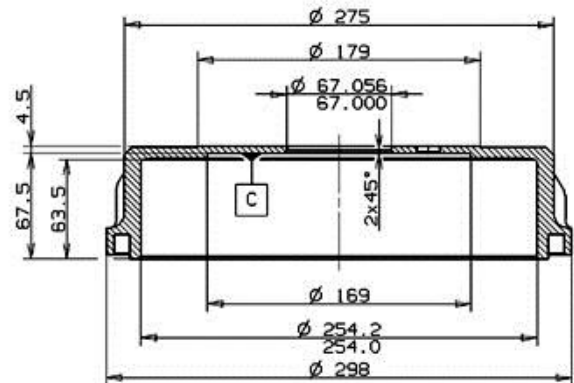
**Număr orificii (D)**  
5,00

**Sistem de frânare**

**Cod EAN**  
8020584725313



|  |                            |               |
|--|----------------------------|---------------|
|  | TOYOTA P.N.: 42431 26070.. | 14.7253.10    |
|  | CUSTOMER P.N.: .....       | Date 23.09.04 |



□ MOUNTING FACE  
Max. DIA. 256 mm  
Weight 7.4 Kg

## Autovehicule compatibile

### TOYOTA

| Model   | Tip                      | kW | An          |
|---|--------------------------|----|-------------|
| HIACE II Box (LH5_, YH7_, LH7_, LH6_, YH6_, YH5_) | 1.8 (YN5_, YH50_, YH60_) | 58 | 12/82 07/89 |
| HIACE II Box (LH5_, YH7_, LH7_, LH6_, YH6_, YH5_) | 2.0 (YH6_, YN5)          | 65 | 12/82 07/89 |

|   |  |    |             |
|---|--|----|-------------|
| HIACE II Box (LH5_, YH7_, LH7_, LH6_, YH6_, YH5_)   | 2.2 D (LH7_, LH5_, LH3_, LH50_, LH60_) | 49 | 12/82 11/89 |
| HIACE II Wagon (LH7_, LH5_, LH6_, YH7_, YH6_, YH5_) | 1.8 (H5G)                              | 58 | 03/83 11/89 |
| HIACE II Wagon (LH7_, LH5_, LH6_, YH7_, YH6_, YH5_) | 2.0 (YH51_, YH61_)                     | 65 | 01/85 08/89 |
| HIACE II Wagon (LH7_, LH5_, LH6_, YH7_, YH6_, YH5_) | 2.2 D (H5G)                            | 49 | 03/83 11/89 |

## Coduri OE

### Coduri OE compatibile

|        |            |
|--------|------------|
| TOYOTA | 4243126070 |
| TOYOTA | 4243126071 |