

Tambur 14.7712.10



Specificații tehnice tambur

Osie Posterioară

Diametru (Ø)
254,00 mm

Diametru max (Diametru max)
255,50 mm

Diametru max
255,50 mm

Lățime
65,00 mm

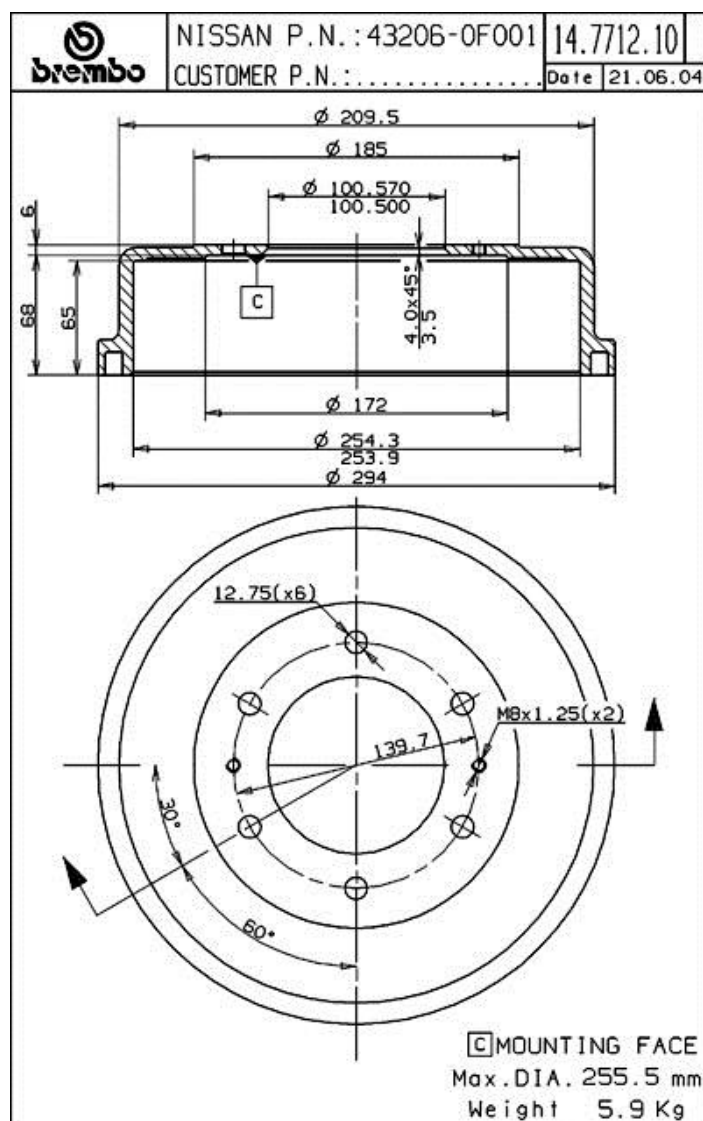
Diametru de centrare (B)
100,5 mm

Înălțime totală (C)
74,00 mm

Număr orificii (D)
6,00

Sistem de frânare

Cod EAN
8020584771211



Autovehicule compatibile

FORD

Model	Tip	kW	An
MAVERICK (UDS, UNS)	2.4 i	91	02/93 08/96

MAVERICK (UDS, UNS)	2.4 i	87	09/96 04/98
MAVERICK (UDS, UNS)	2.4 i (UDS)	85	09/96 04/98
MAVERICK (UDS, UNS)	2.7 TD	74	02/93 08/96
MAVERICK (UDS, UNS)	2.7 TD	92	09/96 04/98
MAVERICK VAN	2.7 TD	74	06/96 04/98
MAVERICK VAN	2.7 TD	92	06/96 04/98

NISSAN

Model	Tip	kW	An
TERRANO II (R20)	2.4 4WD	85	05/96 01/02
TERRANO II (R20)	2.4 4WD	87	05/96 09/07
TERRANO II (R20)	2.4 i 12V 4WD	91	02/93 12/97
TERRANO II (R20)	2.7 TD 4WD	74	02/93 01/02
TERRANO II (R20)	2.7 TDi 4WD	92	05/96 09/07
TERRANO II (R20)	3.0 Di 4WD	113	05/02 09/07
TERRANO II (R20)	3.0 DiTD 4WD	125	10/97 12/04
TERRANO II (R20)	3.2 TDi 4WD	110	10/92 10/97
TERRANO II (R20)	3.3	125	10/92 12/04
TERRANO II (R20)	3.3 4WD	125	10/92 10/97
TERRANO II (R20)	3.5 4WD	177	10/94 06/03
TERRANO II Van (R20)	2.7 TDi 4WD	92	06/98 09/07

Coduri OE

Coduri OE compatibile

FORD	1954475
NISSAN	432060F001