

# Tambur 14.A685.10



## Specificații tehnice tambur

**Osie** Posterioară

**Diametru** (Ø)  
180,00 mm

**Diametru max** (Diametru max)  
182,00 mm

**Diametru max**  
182,00 mm

**Lățime**  
46,00 mm

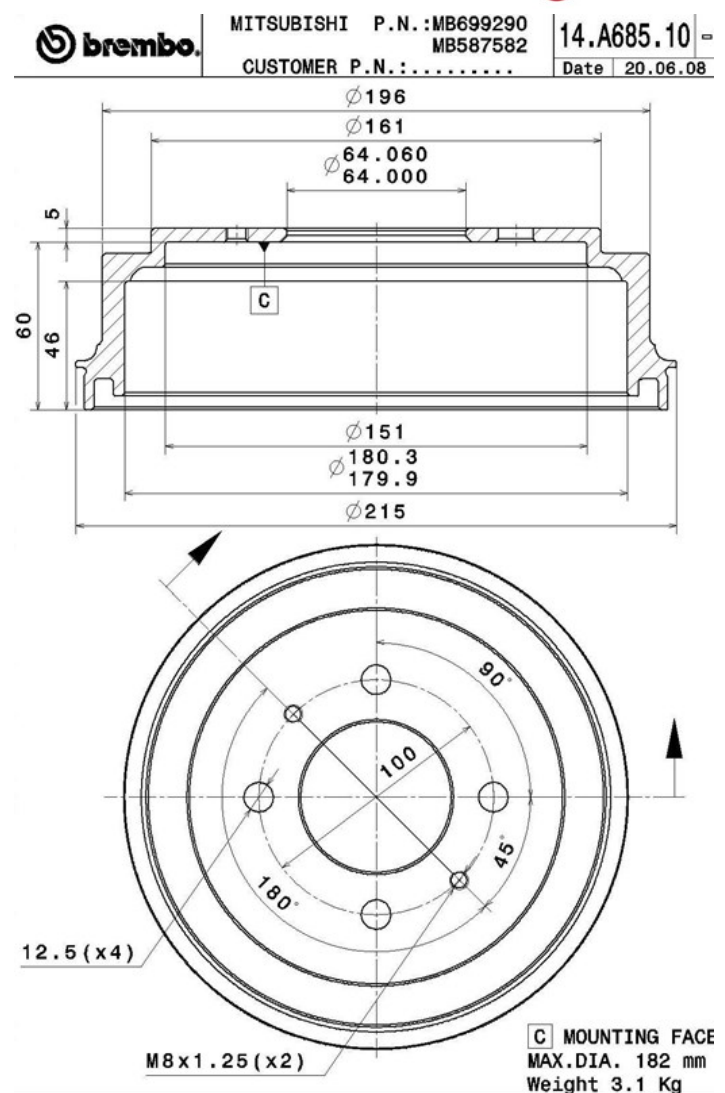
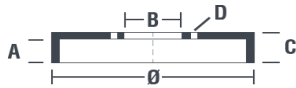
**Diametru de centrare** (B)  
64 mm

**Înălțime totală** (C)  
65,00 mm

**Număr orificii** (D)  
4,00

**Sistem de frânare**

**Cod EAN**  
8020584023051



## Autovehicule compatibile

### MITSUBISHI

Model	Tip	kW	An
COLT IV (CA_A)	1.3 GLi 12V (CA1A)	55	04/92 04/96
COLT IV (CA_A)	1.6 (CA4A)	66	02/94 04/96

COLT V (CJ_, CP_)	1.5 16V (CJ2A)	69	10/99 09/03
COLT V (CJ_, CP_)	1300 (CJ1A)	60	06/00 09/03
COLT V (CJ_, CP_)	1300 GL, GLX (CJ1A)	55	05/96 06/00
COLT V (CJ_, CP_)	1600	76	09/00 09/03
COLT V (CJ_, CP_)	1600 GLX (CJ4A)	66	05/96 09/00
LANCER V (CB_A, CD_A, CE_A)	1.3 (CB1A)	55	06/92 12/96
LANCER VI (CJ_, CP_)	1.3 12V (CK1A)	55	12/95 08/03
LANCER VI (CJ_, CP_)	1.6 16V (CK4A)	66	12/95 08/03

## PROTON

Model	Tip	kW	An
JUMBUCK Pickup	1.5	64	05/02 -
PERSONA 300 (C9_M)	1.3	55	08/00 07/04
PERSONA 300 (C9_M)	313i	55	03/96 01/00
PERSONA 300 (C9_M)	315 GLi/GLSi	66	03/96 07/00
PERSONA 300 (C9_M)	315 GLSi	64	09/96 07/00
PERSONA 400 (C9_S)	413	55	01/94 06/03
PERSONA 400 (C9_S)	415 GLi/GLSi	66	01/94 07/00
PERSONA 400 (C9_S)	420 GLS D	48	05/96 04/99
PERSONA 400 (C9_S)	420 TD	60	09/96 07/00
PERSONA 400 Hatchback (C9_C, C9_S)	413 GLSi	55	01/94 01/00
PERSONA 400 Hatchback (C9_C, C9_S)	415 GLi/GLSi	66	01/94 07/00
PERSONA 400 Hatchback (C9_C, C9_S)	420 D	60	09/96 07/00
PERSONA 400 Hatchback (C9_C, C9_S)	420 GLS D	48	05/96 04/99
SATRIA (C9_M)	1.3	55	07/96 05/06
SATRIA (C9_M)	1.3	55	08/00 05/06
SATRIA (C9_M)	1.5	66	04/96 12/99
SATRIA (C9_M)	1.5	64	07/00 05/06

## Coduri OE

### Coduri OE compatibile

MITSUBISHI	MB587582
MITSUBISHI	MB699290

PROTON

MB587582

---

PROTON

MB699290

---