

# Tambur 14.A691.10



## Specificații tehnice tambur

**Osie** Posterioară

**Diametru** (Ø)  
228,00 mm

**Diametru max** (Diametru max)  
229,60 mm

**Diametru max**  
229,60 mm

**Lățime**  
68,00 mm

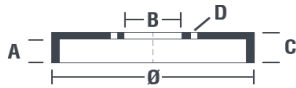
**Diametru de centrare** (B)  
63,4 mm

**Înălțime totală** (C)  
89,50 mm

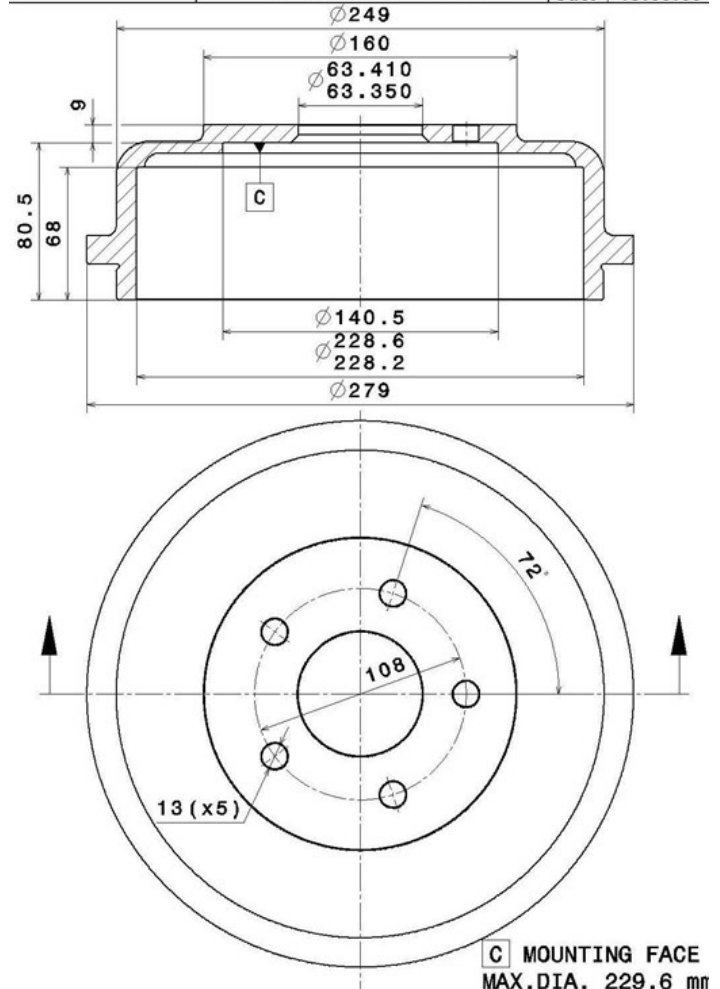
**Număr orificii** (D)  
5,00

**Sistem de frânare**

**Cod EAN**  
8020584017135



	FORD P.N.: 4 367 102 CUSTOMER P.N.: .....	14.A691.10 Date 16.06.08
--	----------------------------------------------	-----------------------------



## Autovehicule compatibile

FORD

Model	Tip	kW	An
TOURNEO CONNECT	1.8 16V	85	06/02 12/13
TOURNEO CONNECT	1.8 TDCi	66	06/02 12/13

TOURNEO CONNECT	1.8 TDCi	81	08/06 12/13
TOURNEO CONNECT	1.8 TDCi /TDDi /DI	55	06/02 12/13
TRANSIT CONNECT (P65_, P70_, P80_)	1.8 16V	85	06/02 12/13
TRANSIT CONNECT (P65_, P70_, P80_)	1.8 16V LPG	85	06/02 12/13
TRANSIT CONNECT (P65_, P70_, P80_)	1.8 Di	55	06/02 12/13
TRANSIT CONNECT (P65_, P70_, P80_)	1.8 TDCi	66	06/02 12/13
TRANSIT CONNECT (P65_, P70_, P80_)	1.8 TDCi	81	08/06 12/13

## Coduri OE

### Coduri OE compatibile

FORD	1334975
FORD	1361302
FORD	1361304
FORD	4367102
FORD	4367103
FORD	4455981
FORD	4467600