



BRAKE PAD PRIME CERAMIC P49048N

The P49048N NAO brake pad is synonymous with reliability

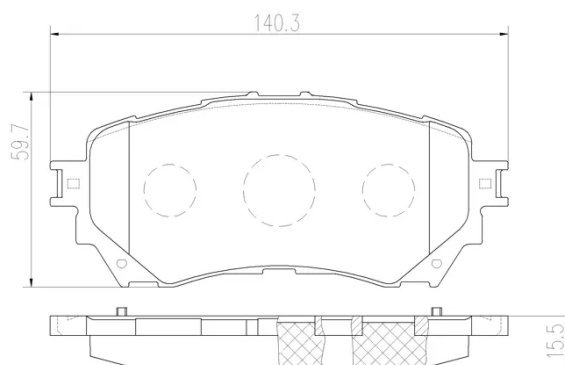
Brembo NAO brake pads stand out for their ultimate braking comfort, reduced friction wear and low dust mission, which makes for cleaner rims and reduced maintenance requirements. The advanced friction material in keeping with the strictest environmental standards is the main distinguishing feature of NAO compounds.

- ✓ OE-equivalent
- ✓ Brembo quality
- ✓ Safety
- ✓ Comfort
- ✓ Durability
- ✓ Dust reduction
- ✓ With accessories



Technical specifications

EAN code 8020584082522	Axle Front	Thickness 16 mm
Width 140 mm	Height 60 mm	Braking system Akebono
Wear indicator Without	WVA number 25725	Accessories With anti-squeal shim



4 PCS/SET



COMPATIBLE VEHICLES

COMPATIBLE OE PART NUMBERS

G4YA3328Z	MAZDA
G4YA3328ZA	MAZDA
G4YA3328ZB	MAZDA
GBYT3328Z	MAZDA
GFY03328Z	MAZDA
GFY13328Z	MAZDA
GHY13328Z	MAZDA
GHY13328Z9C	MAZDA
GHY13328ZB	MAZDA
GHY93328Z	MAZDA
GHY93328ZA	MAZDA
GHY93328ZB	MAZDA
GHY93328ZC	MAZDA
GMY53328Z	MAZDA
GVYB3328Z	MAZDA (FAW)