



BRAKE PAD PRIME CERAMIC P61111N

The P61111N NAO brake pad is synonymous with reliability

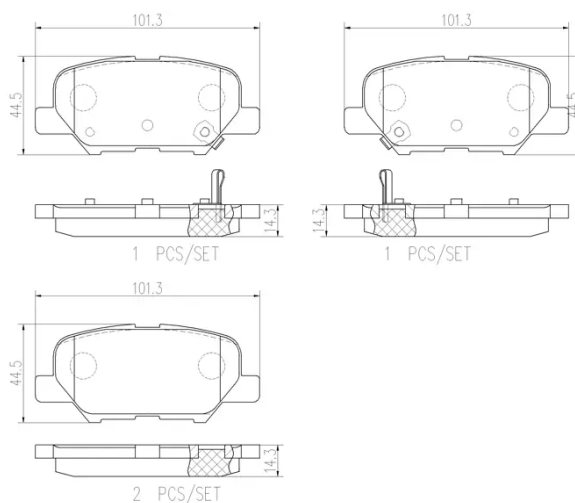
Brembo NAO brake pads stand out for their ultimate braking comfort, reduced friction wear and low dust mission, which makes for cleaner rims and reduced maintenance requirements. The advanced friction material in keeping with the strictest environmental standards is the main distinguishing feature of NAO compounds.

- ✓ OE-equivalent
- ✓ Brembo quality
- ✓ Safety
- ✓ Comfort
- ✓ Durability
- ✓ Dust reduction
- ✓ With accessories



Technical specifications

EAN code 8020584081792	Axle Rear	Thickness 14 mm
Width 101 mm	Height 45 mm	Braking system Akebono
Wear indicator Acoustic	WVA number 25688,25689,25690	Accessories With accessories With anti-squeal shim With piston clip



COMPATIBLE VEHICLES

COMPATIBLE OE PART NUMBERS

1609899680	CITROËN
1619790780	CITROËN
1620368680	CITROËN
1635677180	CITROËN
BJY72648Z	MAZDA
BJY72648ZA	MAZDA
GHY92648Z	MAZDA
GHY92648ZA	MAZDA
GHY92648ZB	MAZDA
GHY92648ZC	MAZDA
GHY92648ZD	MAZDA
440A1W060P	MAZDA
4605A802	MAZDA
4605A998	MAZDA
4605B070	MAZDA
4605B071	MAZDA
4605B384	MAZDA
4605B805	MAZDA
4605B806	MAZDA
4605B807	MAZDA
4605B808	MAZDA
4605B914	MAZDA
4605B915	MAZDA
4605B916	MAZDA
1609899680	PEUGEOT
1635677180	PEUGEOT