



BRAKE PAD PRIME CERAMIC P85118N

The P85118N NAO brake pad is synonymous with reliability

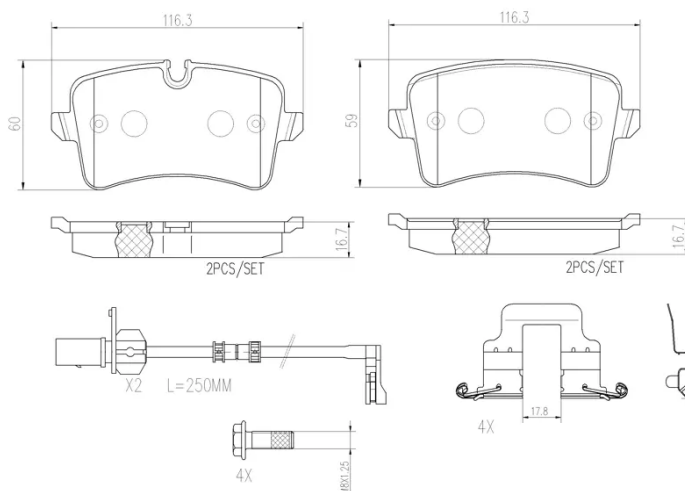
Brembo NAO brake pads stand out for their ultimate braking comfort, reduced friction wear and low dust mission, which makes for cleaner rims and reduced maintenance requirements. The advanced friction material in keeping with the strictest environmental standards is the main distinguishing feature of NAO compounds.

- ✓ OE-equivalent
- ✓ Brembo quality
- ✓ Safety
- ✓ Comfort
- ✓ Durability
- ✓ Dust reduction
- ✓ With accessories



Technical specifications

EAN code 8020584083024	Axle Rear	Thickness 17 mm
Width 116 mm	Height 59 mm	Braking system Lucas
Wear indicator Electric	WVA number 24606,25214	Accessories With accessories With anti-squeal shim With brake caliper bolts



COMPATIBLE VEHICLES

COMPATIBLE OE PART NUMBERS

4G0698451 AUDI

4G0698451H AUDI

4G0698451P AUDI

4GD698451 AUDI (FAW)

4GD698451B AUDI (FAW)

L4GD698451 AUDI (FAW)

4G0698451 SEAT

4G0698451H SEAT

4G0698451 SKODA

4G0698451H SKODA

4G0698451 VW

4G0698451H VW
