



BEYOND EV PAD P 09 004E

The P 09 004E brake pad is designed for electric cars

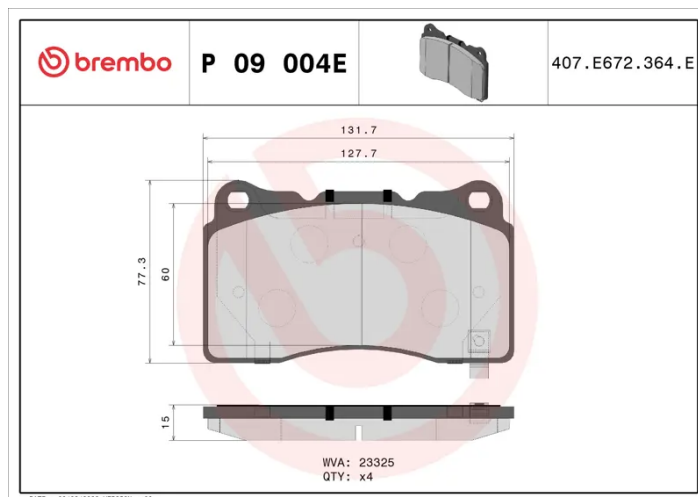
The use of regenerative braking, in electric vehicles, entails a more discontinuous use of the friction brake compared to a car with a combustion engine. For this reason, special attention is required to avoid the corrosion of brake discs and brake pads. The Brembo EV brake pad is coated with a special protective treatment, and when used in combination with Brembo EV brake discs, it avoids early corrosion of the braking system, guaranteeing silent and effective braking.



- ✓ Brembo quality
- ✓ ECE-R90 certificate
- ✓ Comfort
- ✓ Durability
- ✓ Anti-corrosion

Technical specifications

EAN code 8020584123249	Axle Front	Thickness 15 mm
Width 132 mm	Height 78 mm	Braking system Brembo
Wear indicator Acoustic	WVA number 23325	Accessories With anti-squeal shim



COMPATIBLE VEHICLES

COMPATIBLE OE PART NUMBERS

105506600B	TESLA
105506600C	TESLA
106833000A	TESLA
106833000B	TESLA