

Plăcuțe de frână P 10 054



Specificații tehnice plăcuțe

Osie
Anterioară

WVA
25268, 25269, 25270

Lățime
133 mm

Grosime
17,9 mm

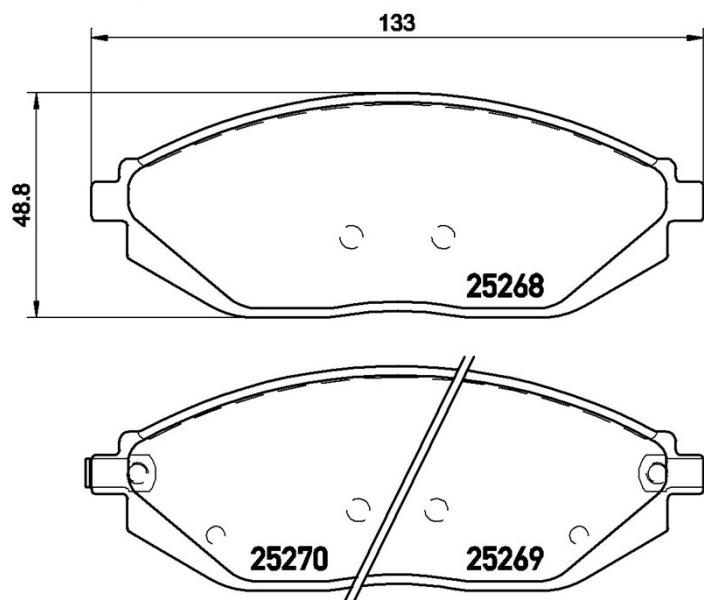
Înălțime
48,8 mm

Sistem de frânare
Akebono

Accesorii

Sezor uzură
Acustic

Cod EAN
8020584102848



Autovehicule compatibile

CHEVROLET

Model	Tip	kW	An
SPARK (M300)	1.0	50	03/10 -
SPARK (M300)	1.0 LPG	50	03/10 -
SPARK (M300)	1.0 LPG	48	07/10 -
SPARK (M300)	1.2	64	01/12 -
SPARK (M300)	1.2	60	03/10 -
SPARK (M300)	1.2 LPG	60	03/10 -
SPARK (M300)	EV	105	09/13 12/16
SPARK (M400)	1.0	54	11/15 -
SPARK (M400)	1.0	55	11/15 -

SPARK (M400)	1.4	73	11/15 -
--------------	-----	----	---------

SPARK (M400)	1.4	72	11/15 -
--------------	-----	----	---------

HOLDEN

Model	Tip	kW	An
-------	-----	----	----

BARINA SPARK (MJ)	1.2 i Auto	63	10/10 12/15
-------------------	------------	----	-------------

BARINA SPARK (MJ)	1.2 i Manual	59	10/10 12/15
-------------------	--------------	----	-------------

TOYOTA

Model	Tip	kW	An
-------	-----	----	----

PIXIS Bus(S3_M)	0.7	38	12/11 -
-----------------	-----	----	---------

PIXIS Bus(S3_M)	0.7	47	12/11 -
-----------------	-----	----	---------

PIXIS Bus(S3_M)	0.7 4WD	38	12/11 -
-----------------	---------	----	---------

PIXIS Bus(S3_M)	0.7 4WD	47	12/11 -
-----------------	---------	----	---------

Coduri OE

Coduri OE compatibile

CHEVROLET	96682858
-----------	----------

TOYOTA	04465B5070
--------	------------