

# Plăcuțe de frână P 11 018

 **brembo**  
AFTERMARKET

## Specificații tehnice plăcuțe

**Osie**  
Posterioară

**WVA**  
24163

**Lățime**  
101,2 mm

**Grosime**  
17,8 mm

**Înălțime**  
57,5 mm

**Sistem de frânare**  
Bosch

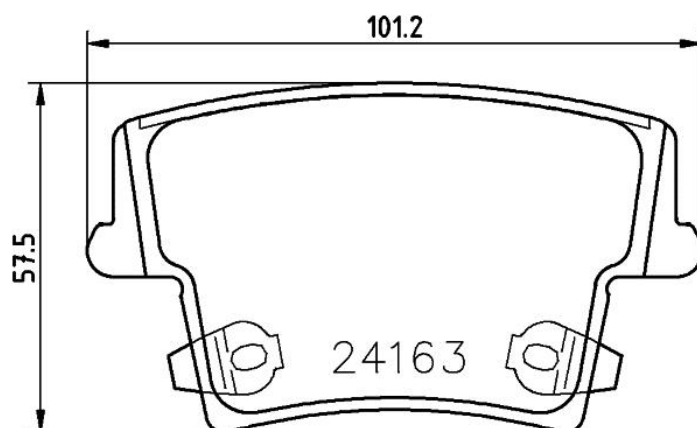
**Accesorii**

**Sezor uzură**  
Acustic

**Cod EAN**  
8020584060148



 **brembo**



## Autovehicule compatibile

### CHRYSLER

Model	Tip	kW	An
300 C (LX, LE)	3.0 V6 CRD	155	11/10 11/12
300 C (LX, LE)	5.7 AWD	268	09/08 -
300 C Touring (LX, LE)	5.7 AWD	250	04/05 12/10
300C	3.0 CRD	176	09/11 -
300C	3.6	218	01/11 -
300C	3.6	210	09/11 -
300C	5.7	271	09/10 -
300C	5.7 AWD	271	09/10 -
300C	6.4	347	09/11 -

### CHRYSLER (BBDC)

Model	Tip	kW	An
-------	-----	----	----

300C	2.7	152	10/06 12/08
300C	3.5	189	10/06 12/08
300C	5.7	252	10/06 01/12

**DODGE**

Model	Tip	kW	An
CHALLENGER Coupe	3.5	186	09/08 12/10
CHALLENGER Coupe	3.6	227	01/11 -
CHALLENGER Coupe	3.6 Flexfuel	227	09/10 -
CHALLENGER Coupe	5.7	280	01/10 -
CHALLENGER Coupe	5.7	277	09/08 -
CHALLENGER Coupe	6.1 SRT8	313	01/08 -
CHALLENGER Coupe	6.4	361	09/14 -
CHALLENGER Coupe	6.4 SRT8	351	01/11 -
CHALLENGER Coupe	6.4 SRT8	346	08/11 -
CHARGER	3.6	215	06/12 -
CHARGER	3.6	218	09/11 12/14
CHARGER	3.6 AWD	218	01/11 12/14
CHARGER	5.7	272	06/12 -
CHARGER	5.7 Flexfuel AWD	276	11/11 -
CHARGER	5.7 RT	276	09/11 -
CHARGER	5.7 RT AWD	276	09/11 -
CHARGER	6.2 SRT Hellcat	527	09/14 -
CHARGER	6.4 SRT8	351	09/11 -
CHARGER	6.4 SRT8	362	09/14 -
CHARGER	2.7	141	04/06 12/10
CHARGER	3.5	186	06/05 12/10
CHARGER	3.5 AWD	186	09/06 12/10
CHARGER	5.7 RT	254	06/05 12/08

**LANCIA**

Model	Tip	kW	An
THEMA (LX_)	3.0 D	140	09/11 10/14
THEMA (LX_)	3.0 D	176	09/11 10/14

THEMA (LX_)	3.6	210	09/11 10/14
THEMA (LX_)	3.6 4WD	210	09/11 10/14

## Coduri OE

### Coduri OE compatibile

CHRYSLER	05139191AA
CHRYSLER	05142561AA
CHRYSLER	05142566AA
CHRYSLER	05142566AB
CHRYSLER	5139191AA
CHRYSLER	5142561AA
CHRYSLER	5142566AB
FIAT	K05142561AA
FIAT	K05142566AB
LANCIA	K05142561AB
LANCIA	K05142566AA
LANCIA	K05142566AB