

Specificații tehnice plăcuțe

Osie
Posterioară

WVA
24822, 24823, 24824

Lățime
116,7 mm

Grosime
17 mm

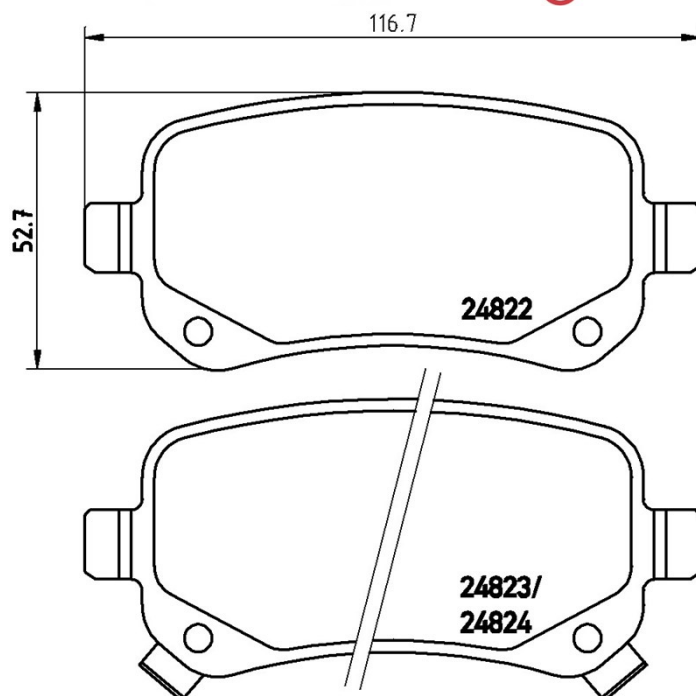
Înălțime
52,7 mm

Sistem de frânare
Lucas

Accesorii

Sezor uzură
Acustic

Cod EAN
8020584090428



Autovehicule compatibile

CHRYSLER

Model	Tip	kW	An
GRAND VOYAGER V (RT)	2.8 CRD	120	10/07 -
GRAND VOYAGER V (RT)	2.8 CRD	120	10/07 -
GRAND VOYAGER V (RT)	3.3	125	01/08 -
GRAND VOYAGER V (RT)	3.8	142	10/07 -
GRAND VOYAGER V (RT)	3.8	148	10/07 -
GRAND VOYAGER V (RT)	4.0	179	10/07 -
GRAND VOYAGER V (RT)	4.0	187	10/07 -

DODGE

Model	Tip	kW	An
GRAND CARAVAN	3.3	127	06/07 -
GRAND CARAVAN	3.3	131	06/07 12/08
GRAND CARAVAN	3.6	211	09/10 -
GRAND CARAVAN	3.8	148	06/07 -
GRAND CARAVAN	3.8	142	06/07 12/10
GRAND CARAVAN	4.0	189	06/07 12/10
GRAND CARAVAN	4.0	173	06/07 -
JOURNEY	2.0 CRD	100	06/08 12/11
JOURNEY	2.0 CRD	103	06/08 -
JOURNEY	2.4	127	06/12 -
JOURNEY	2.4	125	01/09 -
JOURNEY	2.4	129	09/08 -
JOURNEY	2.4 ECO+	125	06/08 -
JOURNEY	2.7	136	01/09 -
JOURNEY	2.7 FLEXFUEL	136	01/09 -
JOURNEY	3.5	173	06/08 -
JOURNEY	3.5 AWD	173	06/08 -
JOURNEY	3.6	206	06/12 12/15
JOURNEY	3.6	211	01/12 -

FIAT

Model	Tip	kW	An
FREEMONT (345_)	2.0 JTD	100	08/11 -
FREEMONT (345_)	2.0 JTD	103	08/11 -
FREEMONT (345_)	2.0 JTD	120	08/11 -
FREEMONT (345_)	2.0 JTD	125	08/11 -
FREEMONT (345_)	2.0 JTD 4x4	120	08/11 -
FREEMONT (345_)	2.0 JTD 4x4	125	08/11 -
FREEMONT (345_)	2.4	125	08/11 -
FREEMONT (345_)	2.4	129	08/12 -
FREEMONT (345_)	3.6	206	08/11 -

FREEMONT (345_)

3.6 4x4

206

08/11 -

LANCIA

Model	Tip	kW	An
VOYAGER MPV (404_)	2.8 CRD	120	09/11 12/14
VOYAGER MPV (404_)	3.6 V6	208	09/11 12/14

VW

Model	Tip	kW	An
ROUTAN	3.6	208	01/11 12/13
ROUTAN	3.6	196	12/10 12/13
ROUTAN	3.8	147	09/08 11/10
ROUTAN	4.0	187	09/08 11/10

Coduri OE**Coduri OE compatibile**

AUDI	7B0698451
AUDI	7B0698451A
AUDI	7B0698451C
AUDI	7B0698451D
CHRYSLER	00K68159138AA
CHRYSLER	00K68159143AA
CHRYSLER	068029887AB
CHRYSLER	068044761AA
CHRYSLER	068044761AB
CHRYSLER	068044761AC
CHRYSLER	68029887AB
CHRYSLER	68044761AA
CHRYSLER	68044761AB
CHRYSLER	68044761AC
CHRYSLER	K68044761AA
DODGE	68029887AA
FIAT	00K68159138AA
FIAT	00K68159143AA
FIAT	00K68192439AA

FIAT	00K68192439AB
FIAT	K68029887AA
FIAT	K68029887AB
FIAT	K68159138AA
FIAT	K68159143AA
FIAT	K68192439AA
FIAT	K68192439AB
SEAT	7B0698451
SEAT	7B0698451A
SEAT	7B0698451C
SEAT	7B0698451D
SKODA	7B0698451
SKODA	7B0698451A
SKODA	7B0698451C
SKODA	7B0698451D
VW	7B0698451
VW	7B0698451A
VW	7B0698451C
VW	7B0698451D