

Plăcuțe de frână P 11 023

 **brembo**
AFTERMARKET

Specificații tehnice plăcuțe

Osie
Anterioară

WVA
24075

Lățime
141,8 mm

Grosime
17 mm

Înălțime
76 mm

Sistem de frânare
Brembo

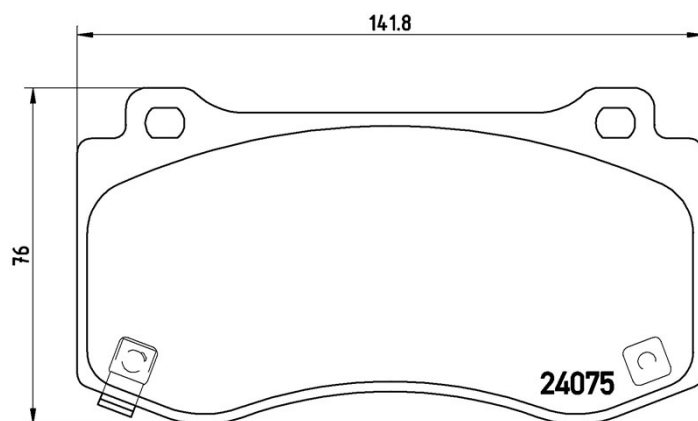
Accesorii

Sezor uzură
Acustic

Cod EAN
8020584090442



 **brembo**



Autovehicule compatibile

CHRYSLER

Model	Tip	kW	An
300 C (LX, LE)	2.7	130	01/07 11/12
300 C (LX, LE)	2.7	142	09/04 11/12
300 C (LX, LE)	3.0 CRD	160	09/05 11/12
300 C (LX, LE)	3.0 V6 CRD	155	11/10 11/12
300 C (LX, LE)	3.5	183	09/04 11/12
300 C (LX, LE)	3.5 AWD	186	09/04 12/10
300 C (LX, LE)	5.7	268	09/08 -
300 C (LX, LE)	5.7	256	12/09 11/12
300 C (LX, LE)	5.7	265	05/09 12/10
300 C (LX, LE)	5.7	250	09/04 12/08
300 C (LX, LE)	6.1 SRT8	317	06/05 11/12

300 C Touring (LX, LE)	2.7	130	01/07 12/10
300 C Touring (LX, LE)	2.7	142	09/04 12/10
300 C Touring (LX, LE)	3.0 CRD	160	09/05 12/10
300 C Touring (LX, LE)	3.5	183	09/04 12/10
300 C Touring (LX, LE)	5.7	250	09/04 12/10
300 C Touring (LX, LE)	6.1 SRT8	317	06/05 12/10
300C	3.6	218	01/11 -
300C	3.6	215	07/11 -
300C	3.6	210	09/11 -
300C	5.7	271	09/10 -
300C	5.7 AWD	271	09/10 -
300C	6.4	347	09/11 -

DODGE

Model	Tip	kW	An
CHALLENGER Coupe	3.6 Flexfuel	227	09/10 -
CHALLENGER Coupe	6.2 SRT Hellcat	527	09/14 -
CHALLENGER Coupe	6.4	361	09/14 -
CHALLENGER Coupe	6.4 SRT8	351	01/11 -
CHALLENGER Coupe	6.4 SRT8	346	08/11 -
CHARGER	6.2 SRT Hellcat	527	09/14 -
CHARGER	6.4 SRT8	351	09/11 -
CHARGER	6.4 SRT8	362	09/14 -
CHARGER	6.1 SRT8	317	09/05 12/10
MAGNUM Estate	6.1 SRT8	317	09/05 12/08

JEEP

Model	Tip	kW	An
GRAND CHEROKEE III (WH, WK)	3.7 V6 4x4	148	01/08 12/10
GRAND CHEROKEE III (WH, WK)	6.1 SRT8 4x4	313	03/06 12/10
GRAND CHEROKEE III (WH, WK)	6.1 SRT8 RWD	313	03/06 05/10

Coduri OE

Coduri OE compatibile

CHRYSLER

05174311AA

CHRYSLER	05174311AB
CHRYSLER	05174311AC
CHRYSLER	068144213AA
CHRYSLER	5174311AA
CHRYSLER	5174311AB
CHRYSLER	5174311AC
CHRYSLER	68144213AA
CHRYSLER	K05174311AC
JEEP	00K68002193AA
JEEP	68002193AA
JEEP	K68002193AA