

## Specificații tehnice plăcuțe

**Osie**  
Posterioară

**WVA**  
25376, 25377

**Lățime**  
130 mm

**Grosime**  
17,6 mm

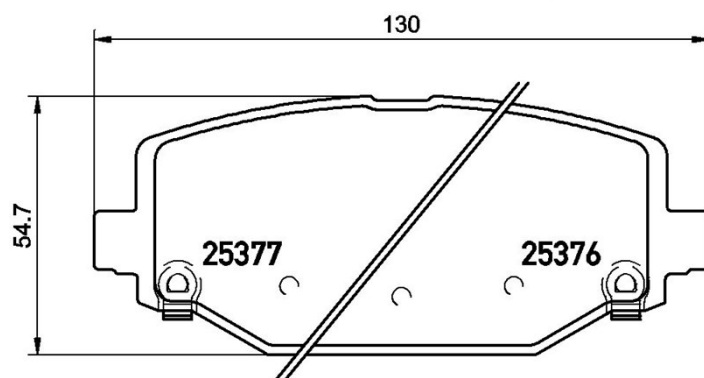
**Înălțime**  
54,7 mm

**Sistem de frânare**  
TRW

**Accesorii**  
Cu accesorii

**Sezor uzură**  
Acustic

**Cod EAN**  
8020584102862



## Autovehicule compatibile

### CHRYSLER

Model	Tip	kW	An
GRAND VOYAGER V (RT)	2.8 CRD	132	09/12 -
GRAND VOYAGER V (RT)	2.8 CRD	120	10/07 -
GRAND VOYAGER V (RT)	2.8 CRD	120	10/07 -
GRAND VOYAGER V (RT)	3.3	125	01/08 -
GRAND VOYAGER V (RT)	3.6	208	02/11 -
GRAND VOYAGER V (RT)	3.6	211	02/11 -
GRAND VOYAGER V (RT)	3.8	142	10/07 -
GRAND VOYAGER V (RT)	3.8	148	10/07 -

### DODGE

Model	Tip	kW	An
GRAND CARAVAN	3.3	127	06/07 -
JOURNEY	3.6 Flexfuel AWD	211	09/10 -

**FIAT**

Model	Tip	kW	An
FREEMONT (345_)	2.0 JTD	100	08/11 -
FREEMONT (345_)	2.0 JTD	103	08/11 -
FREEMONT (345_)	2.0 JTD	120	08/11 -
FREEMONT (345_)	2.0 JTD	125	08/11 -
FREEMONT (345_)	2.0 JTD 4x4	120	08/11 -
FREEMONT (345_)	2.0 JTD 4x4	125	08/11 -
FREEMONT (345_)	2.4	125	08/11 -
FREEMONT (345_)	2.4	129	08/12 -
FREEMONT (345_)	3.6	206	08/11 -
FREEMONT (345_)	3.6 4x4	206	08/11 -

**LANCIA**

Model	Tip	kW	An
VOYAGER MPV (404_)	2.8 CRD	131	07/12 12/14
VOYAGER MPV (404_)	2.8 CRD	130	08/13 12/14
VOYAGER MPV (404_)	2.8 CRD	120	09/11 12/14
VOYAGER MPV (404_)	3.6 V6	208	09/11 12/14

**VW**

Model	Tip	kW	An
ROUTAN	3.6	208	01/11 12/13
ROUTAN	3.6	196	12/10 12/13

**Coduri OE****Coduri OE compatibile**

AUDI	7B0698451B
CHRYSLER	068144209AA
CHRYSLER	068159526AA
CHRYSLER	068159526AB
CHRYSLER	068159526AC
CHRYSLER	68144209AA
CHRYSLER	68159526AA
CHRYSLER	68159526AB

CHRYSLER	68159526AC
FIAT	00K68159526AA
FIAT	K68159526AA
LANCIA	00K68144209AA
LANCIA	00K68159526AA
LANCIA	00K68159526AB
LANCIA	00K68159526AC
LANCIA	K68144209AA
LANCIA	K68159526AA
LANCIA	K68159526AB
LANCIA	K68159526AC
SEAT	7B0698451B
SKODA	7B0698451B
VW	7B0698451B