

Plăcuțe de frână P 11 040

 **brembo**
AFTERMARKET

Specificații tehnice plăcuțe

Osie
Posterioară

WVA
22209

Lățime
101,5 mm

Grosime
17,8 mm

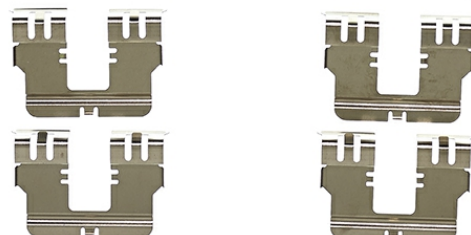
Înălțime
57,5 mm

Sistem de frânare

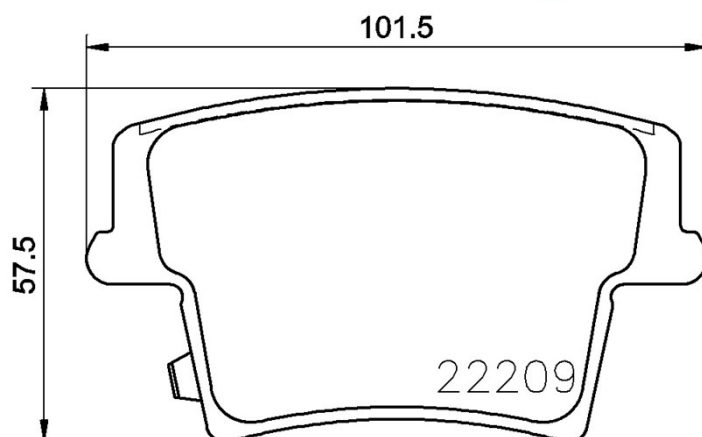
Accesorii
Cu accesorii

Sezor uzură
Acustic

Cod EAN
8020584081143



 **brembo**



Autovehicule compatibile

CHRYSLER

Model	Tip	kW	An
300C	6.4	347	09/11 -

DODGE

Model	Tip	kW	An
CHALLENGER Coupe	3.6 Flexfuel	227	09/10 -
CHALLENGER Coupe	6.1 SRT8	313	01/08 -
CHALLENGER Coupe	6.1 SRT8	317	09/07 -
CHALLENGER Coupe	6.4	361	09/14 -
CHALLENGER Coupe	6.4 SRT8	351	01/11 -

CHALLENGER Coupe	6.4 SRT8	346	08/11 -
CHARGER	3.6	215	06/12 -
CHARGER	3.6	218	09/11 12/14
CHARGER	3.6 AWD	218	01/11 12/14
CHARGER	5.7	272	06/12 -
CHARGER	5.7 Flexfuel AWD	276	11/11 -
CHARGER	5.7 RT	276	09/11 -
CHARGER	5.7 R/T AWD	276	09/11 -
CHARGER	6.2 SRT Hellcat	527	09/14 -
CHARGER	6.4 SRT8	351	09/11 -
CHARGER	6.4 SRT8	362	09/14 -
MAGNUM Estate	3.5	187	09/04 12/08
MAGNUM Estate	5.7 R/T	254	09/04 12/08
MAGNUM Estate	5.7 R/T AWD	254	09/04 12/08

Coduri OE

Coduri OE compatibile

CHRYSLER	05142560AA
CHRYSLER	05142560AB
CHRYSLER	5142560AA
CHRYSLER	5142560AB
CHRYSLER	K5142560AA
CHRYSLER	K5142560AB