

Specificații tehnice plăcuțe

Osie
Anterioară

WVA
20708, 20847

Lățime
99,3 mm

Grosime
16,5 mm

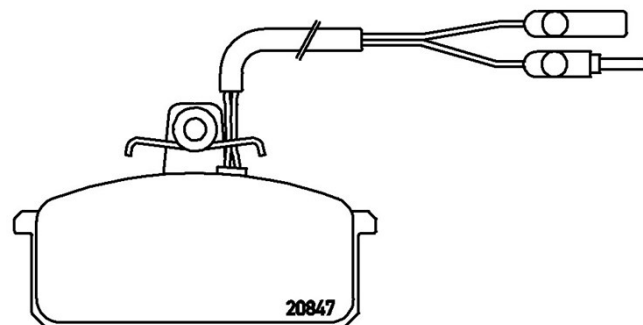
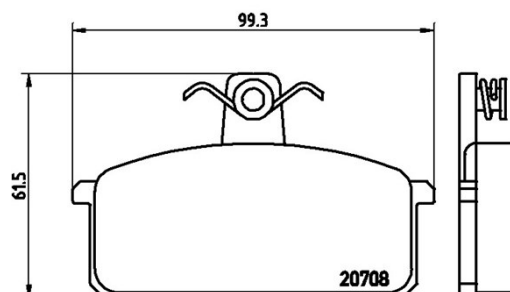
Înălțime
61,5 mm

Sistem de frânare
Lucas

Accesorii
Cu șuruburi cu șuruburi de frână

Sezor uzură
Electric

Cod EAN
8020584050897



Autovehicule compatibile

LANCIA

Model	Tip	kW	An
DELTA I (831_)	1.1 (831AB.015)	47	01/86 12/90
DELTA I (831_)	1.3	58	09/83 08/92
DELTA I (831_)	1.3 (831AB.011)	55	09/79 08/92
DELTA I (831_)	1.5 (831AB.025)	63	09/79 12/92
PRISMA (831_)	1.3	58	01/83 12/89
PRISMA (831_)	1.5	63	01/83 04/86
PRISMA (831_)	1.9 Diesel	48	01/83 02/92

SAAB

Model	Tip	kW	An
600	1.5	63	01/80 12/86
SEAT			
Model	Tip	kW	An
IBIZA I (021A)	0.9	32	08/86 05/93
IBIZA I (021A)	0.9	29	08/90 05/93
IBIZA I (021A)	1.2	44	11/84 12/93
IBIZA I (021A)	1.2	46	11/84 12/93
IBIZA I (021A)	1.2 i	52	01/89 05/93
IBIZA I (021A)	1.5	63	11/84 05/93
IBIZA I (021A)	1.5 i	65	10/86 05/93
IBIZA I (021A)	1.5 i	74	10/86 05/93
IBIZA I (021A)	1.5 i Cat	66	10/86 05/93
IBIZA I (021A)	1.7	72	01/91 05/93
IBIZA I (021A)	1.7 D	40	06/84 05/93
IBIZA I (021A)	1.7 D	42	08/90 05/93
MALAGA (023A)	1.2	44	05/85 12/93
MALAGA (023A)	1.2	47	11/84 12/93
MALAGA (023A)	1.2 i	52	12/89 12/93
MALAGA (023A)	1.5	63	05/85 12/93
MALAGA (023A)	1.5 i	74	01/87 12/93
MALAGA (023A)	1.5 i Cat	66	10/86 12/93
MALAGA (023A)	1.7 D	40	05/85 12/93
MALAGA (023A)	1.7 D	42	05/90 12/93
RONDA (022A)	1.2	47	08/83 05/85
RONDA (022A)	1.2	44	10/84 12/86
RONDA (022A)	1.4	54	06/82 11/88
RONDA (022A)	1.5	63	09/84 12/86
RONDA (022A)	1.6	68	08/83 09/85
RONDA (022A)	1.7 Diesel	40	06/82 12/86
RONDA (022A)	1.7 Diesel	41	06/82 12/86

Coduri OE

Coduri OE compatibile

ALFA ROMEO	5888546
ALFA ROMEO	5983913
ALFA ROMEO	82361902
ALFA ROMEO	9938719
ALFA ROMEO	9939353
AUDI	21165081
FIAT	71770949
LANCIA	09941718
LANCIA	792488
LANCIA	9939953
SEAT	21165081
SKODA	21165081
VW	21165081