

## Specificații tehnice plăcuțe

**Osie**  
Anterioară

**WWA**  
20944, 21063, 21098

**Lățime**  
99,9 mm

**Grosime**  
15 mm

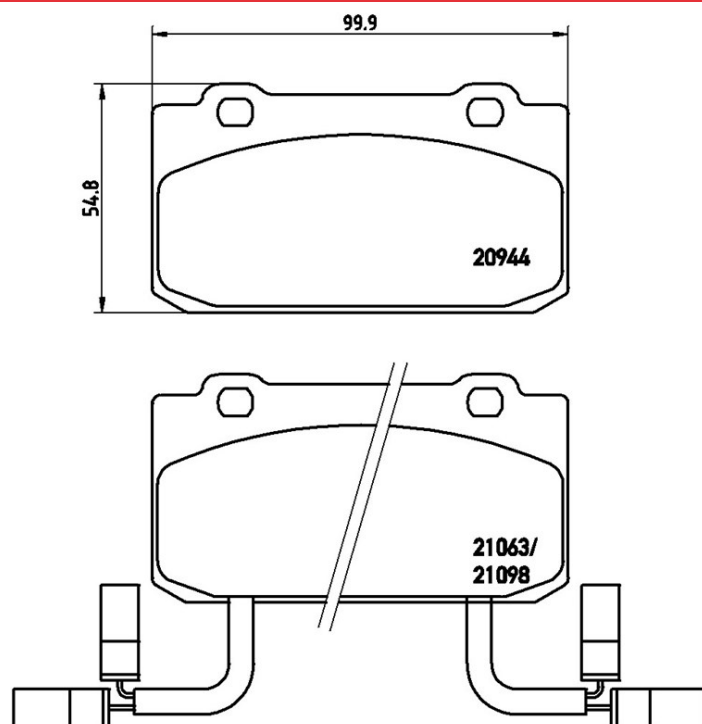
**Înălțime**  
54,8 mm

**Sistem de frânare**  
Teves

**Accesorii**

**Sezor uzură**  
Electric

**Cod EAN**  
8020584051009



## Autovehicule compatibile

### ALFA ROMEO

Model	Tip	kW	An
33 (905_)	1.2 (905.A)	50	06/83 12/89
33 (905_)	1.3	58	05/83 12/89
33 (905_)	1.3 (905.A1A, 905.A1C, 905.A1D, 905.A1F, 905.A1H)	63	10/84 12/89
33 (905_)	1.3 (905.A1B, 905.A1C, 905.A1G)	55	06/83 12/89
33 (905_)	1.5	70	05/83 12/93
33 (905_)	1.5 (905.A2)	75	07/86 12/89
33 (905_)	1.5 (905.A2A)	62	05/83 12/87
33 (905_)	1.5 (905.A2G)	66	06/83 12/86
33 (905_)	1.5 4x4 (905.A2)	75	07/86 12/89
33 (905_)	1.5 4x4 (905.A2)	62	11/83 12/84
33 (905_)	1.5 4x4 (905.A2A)	70	01/84 12/89
33 (905_)	1.5 4x4 (905.A2F)	66	01/85 09/86
33 (905_)	1.5 4x4 (905.A2M, 905.A2T)	77	09/86 12/89
33 (905_)	1.5 QV (905.A2N, 905.A2V)	77	06/84 12/89

33 (905_)	1.8 TD	54	01/86 06/90
33 Sportwagon (905A_)	1.4	66	01/84 12/88
33 Sportwagon (905A_)	1.5	66	09/84 12/86
33 Sportwagon (905A_)	1.5	70	09/84 12/87
33 Sportwagon (905A_)	1.5	75	12/86 12/89
33 Sportwagon (905A_)	1.5	77	12/86 12/89
33 Sportwagon (905A_)	1.5 4x4	70	09/84 12/87
33 Sportwagon (905A_)	1.5 4x4	75	12/86 12/89
33 Sportwagon (905A_)	1.5 4x4 (905.A2B, 905.A2C)	66	09/84 12/86
33 Sportwagon (905A_)	1.5 4x4 (905.A2U)	77	12/86 03/89
33 Sportwagon (905A_)	1.8 TD	62	01/86 12/89
ARNA (920_)	1.2	46	03/83 12/86
ARNA (920_)	1.2 (920.AA)	44	01/85 12/86
ARNA (920_)	1.2 (920.AB, 920.AC)	50	01/85 12/86
ARNA (920_)	1.3	58	01/85 12/86
ARNA (920_)	1.3 TI (920.A1B)	63	03/83 12/86
ARNA (920_)	1.5	70	01/85 12/86

## Coduri OE

### Coduri OE compatibile

ALFA ROMEO	006075077800
ALFA ROMEO	0060750796
ALFA ROMEO	0060750869
ALFA ROMEO	0060750873
ALFA ROMEO	0060778285
ALFA ROMEO	60750465
ALFA ROMEO	60777263
ALFA ROMEO	795320
ALFA ROMEO	795338
ALFA ROMEO	79533800000000
ALFA ROMEO	79534200000000
ALFA ROMEO	795357

ALFA ROMEO

79535700000000

---

FIAT

795357

---