

Specificații tehnice plăcuțe

Osie
Anterioară

WVA
22165, 22166, 22167

Lățime
140,9 mm

Grosime
20,5 mm

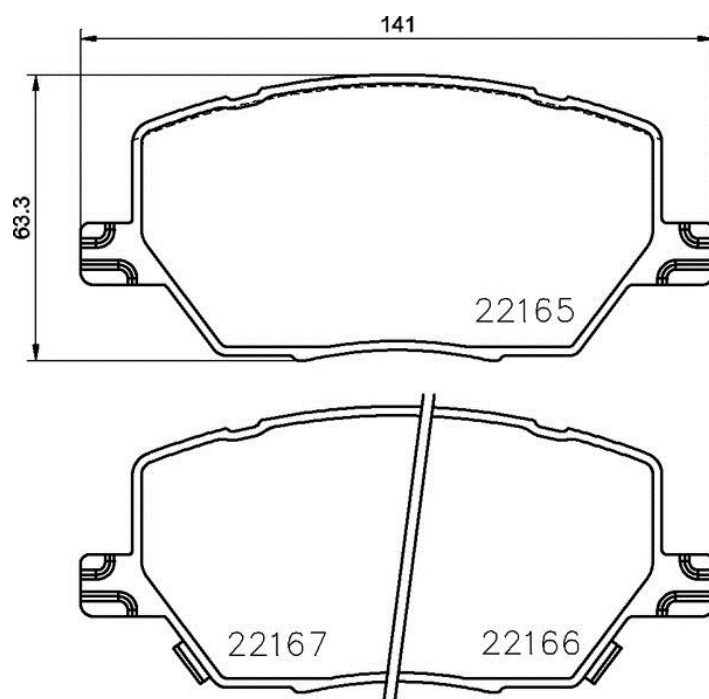
Înălțime
63,3 mm

Sistem de frânare
Mando

Accesorii

Sezor uzură
Acustic

Cod EAN
8020584081006



Autovehicule compatibile

FIAT				
Model	Tip	kW	An	
500X (334_)	1.4 4x4	120	02/15 -	
500X (334_)	1.4 4x4	125	02/15 -	
500X (334_)	1.6	81	11/14 -	
500X (334_)	1.6 D Multijet	84	09/14 -	
500X (334_)	2.0 D Multijet 4x4	100	09/14 -	
500X (334_)	2.0 D Multijet 4x4	103	09/14 -	
500X (334_)	2.4	138	01/16 -	
500X (334_)	2.4	134	05/15 -	
500X (334_)	2.4 4x4	135	05/15 -	

JEEP

Model	Tip	kW	An
COMPASS (MP, M6)	1.4 MultiAir	103	03/17 -
COMPASS (MP, M6)	1.4 MultiAir All-wheel Drive	125	03/17 -
COMPASS (MP, M6)	1.6 CRD	88	03/17 -
COMPASS (MP, M6)	2.0 CRD 4x4	103	03/17 -
COMPASS (MP, M6)	2.0 CRD 4x4	125	12/16 -
COMPASS (MP, M6)	2.4	134	09/17 -
COMPASS (MP, M6)	2.4 4x4	134	09/17 -
COMPASS (MP, M6)	2.4 MultiAir	129	09/17 -
COMPASS (MP, M6)	2.4 MultiAir 4x4	129	09/17 -
RENEGADE Closed Off-Road Vehicle (BU, B1)	2.0 CRD 4x4	88	07/14 -
RENEGADE Closed Off-Road Vehicle (BU, B1)	2.0 CRD 4x4	103	07/14 -
RENEGADE Closed Off-Road Vehicle (BU, B1)	2.0 CRD 4x4	125	07/14 -
RENEGADE Closed Off-Road Vehicle (BU, B1)	2.4	129	09/15 -
RENEGADE Closed Off-Road Vehicle (BU, B1)	2.4	132	09/15 -
RENEGADE Closed Off-Road Vehicle (BU, B1)	2.4 4x4	134	06/16 -
RENEGADE Closed Off-Road Vehicle (BU, B1)	2.4 4x4	129	09/15 -
RENEGADE Closed Off-Road Vehicle (BU, B1)	2.4 4x4	132	09/15 -

Coduri OE**Coduri OE compatibile**

CHRYSLER	00K68379582AA
FIAT	77367214
JEEP	77367214
JEEP	77367936
JEEP	77368211
JEEP	K68346986AA
JEEP	K68379582AA
JEEP (GAC FCA)	155250158