

Plăcuțe de frână P 24 004



Specificații tehnice plăcuțe

Osie
Anterioară

WVA
20364, 20365

Lățime
88,5 mm

Grosime
15 mm

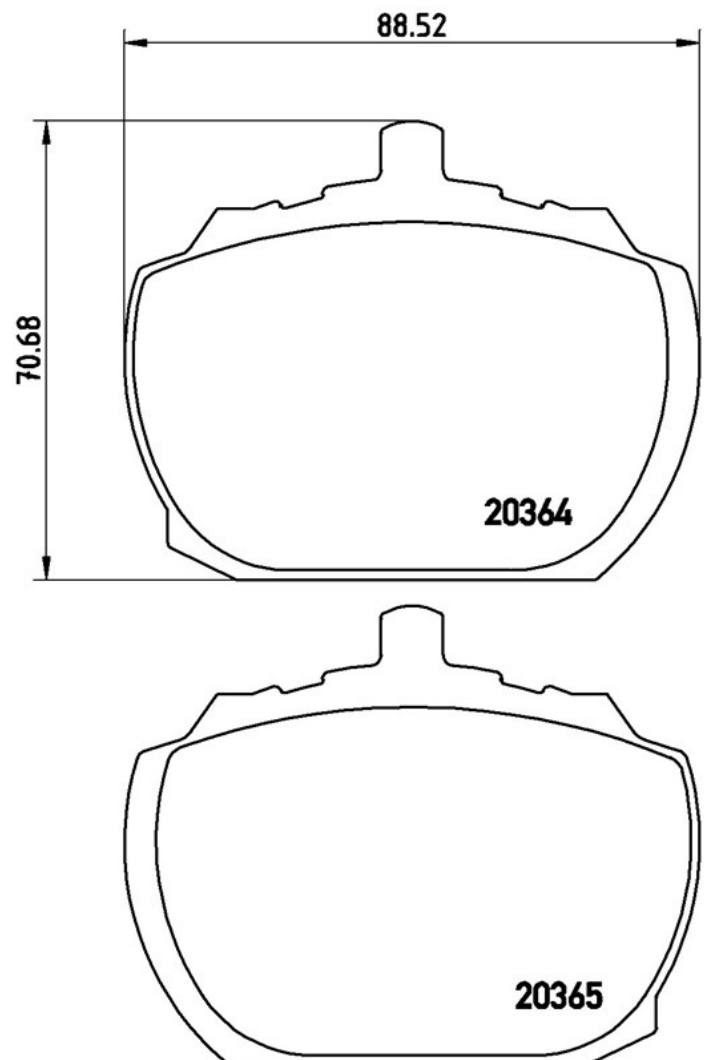
Înălțime
70,7 mm

Sistem de frânare
Lockheed

Accesorii
Cu accesorii

Sezor uzură
Fără

Cod EAN
8020584051764



Autovehicule compatibile

FORD

Model	Tip	kW	An
TRANSIT Box (T_ _)	1.6 (TAS)	46	09/85 09/92

TRANSIT Box (T_ _)	2.0 (TAL, TAS, TGL, TWS)	57	09/85 09/92
TRANSIT Box (T_ _)	2.5 D (TAL, TAS, TGL, TWS)	50	01/86 09/91
TRANSIT Box (T_ _)	2.5 D (TAL, TAS, TGL, TWS)	52	10/88 09/91
TRANSIT Box (V_ _)	1.6 (WS)	48	11/77 10/86
TRANSIT Box (V_ _)	2.0 (VHL, VVS)	57	11/77 10/86
TRANSIT Box (V_ _)	2.0 (VVL)	55	11/77 10/86
TRANSIT Box (V_ _)	2.0 (VVS)	43	11/77 07/82
TRANSIT Box (V_ _)	2.4 D (VVS)	46	11/77 10/86
TRANSIT Box (V_ _)	2.5 D (VVL)	50	10/83 10/86
TRANSIT Bus (T_ _)	1.6 (TBL, TES)	46	12/85 01/89
TRANSIT Bus (T_ _)	2.0 (TBS, TCL, TCS, TEL, TES)	57	11/85 09/92
TRANSIT Bus (T_ _)	2.0 Cat (TBS, TCL, TCS)	57	12/85 09/92
TRANSIT Bus (T_ _)	2.5 D (TBS, TCL, TCS, TEL, TES)	50	12/85 01/89
TRANSIT Bus (T_ _)	2.5 D (TBS, TEL, TES)	52	09/88 09/92
TRANSIT Bus (V_ _)	1.6 (VAS, VLS, VZS)	48	12/77 10/86
TRANSIT Bus (V_ _)	2.0 (VAS, VBLVIL, VLS, VUL, VZS)	43	12/77 07/82
TRANSIT Bus (V_ _)	2.0 (VAS, VIL, VLS, VUL, VZS)	57	11/77 10/86
TRANSIT Bus (V_ _)	2.0 (VAS, VLS, VZS)	55	11/77 10/86
TRANSIT Bus (V_ _)	2.4 D (VAS, VBL, VIL, VUL, VZS)	46	12/77 10/86
TRANSIT Bus (V_ _)	2.5 D (VAS, VBL, VIL, VUL, VZS)	50	10/83 10/86
TRANSIT Platform/Chassis (T_ _)	2.0 (TTE, TTL, TTS)	57	01/86 09/92
TRANSIT Platform/Chassis (T_ _)	2.0 Cat (TUL)	57	11/85 09/92
TRANSIT Platform/Chassis (T_ _)	2.5 D (TTL, TTS, TUL, TUS, TTE)	50	01/86 01/89
TRANSIT Platform/Chassis (T_ _)	2.5 DI (TTE, TTL, TTS, TUL)	52	09/88 09/92
TRANSIT Platform/Chassis (V_ _)	1.6 (VCS, VDS)	48	11/77 10/86
TRANSIT Platform/Chassis (V_ _)	2.0 (VGL, VSL, VTL)	43	11/77 07/82
TRANSIT Platform/Chassis (V_ _)	2.0 (VGL, VSL, VTL, VCS, VDS)	57	11/77 10/86
TRANSIT Platform/Chassis (V_ _)	2.4 D (VGL, VSL, VTL, VCS, VDS)	46	11/77 09/85
TRANSIT Platform/Chassis (V_ _)	2.5 D (VGL, VSL, VTL, VCS, VDS)	50	10/83 10/86

Model	Tip	kW	An
TRANSIT Box (125, 175)	4.1	94	01/77 12/83
TRANSIT Bus (115)	4.1	94	05/73 09/78
TRANSIT Bus (125)	4.1	94	01/77 12/83

ROVER

Model	Tip	kW	An
2000-3500 (P6)	2200 (TC)	83	09/63 05/76
2000-3500 (P6)	3500	104	04/68 05/76
2000-3500 (P6)	3500	110	04/68 05/76
2000-3500 Hatchback (SD1)	2300	88	09/77 10/86
2000-3500 Hatchback (SD1)	2400 TD	67	05/82 10/86
2000-3500 Hatchback (SD1)	2600	99	09/77 10/82
2000-3500 Hatchback (SD1)	3500	115	06/76 10/86

TRIUMPH

Model	Tip	kW	An
STAG	3.0	107	01/70 12/77

Coduri OE

Coduri OE compatibile

BEDFORD	91109274
BEDFORD	91126365
DAF	RTC3261
FORD	1571569
FORD	1642643
FORD	5010540
FORD	5015932
FORD	5018907
FORD	5022397
FORD	571569
FORD	6567001
FORD	89VX2K021AA
RELIANCE	RTGBP3400
ROVER	AEU1546
ROVER	GBP242

TRIUMPH	513083
---------	--------

TRIUMPH	520243
---------	--------

TRIUMPH	GBP245
---------	--------

VAUXHALL	91014594
----------	----------
