

Plăcuțe de frână P 24 034

 **brembo**
AFTERMARKET

Specificații tehnice plăcuțe

Osie
Anterioară

WVA
21394,21638,23071

Lățime
155,1 - 156,5 mm

Grosime
18,5 mm

Înălțime
58,5 mm

Sistem de frânare
Teves

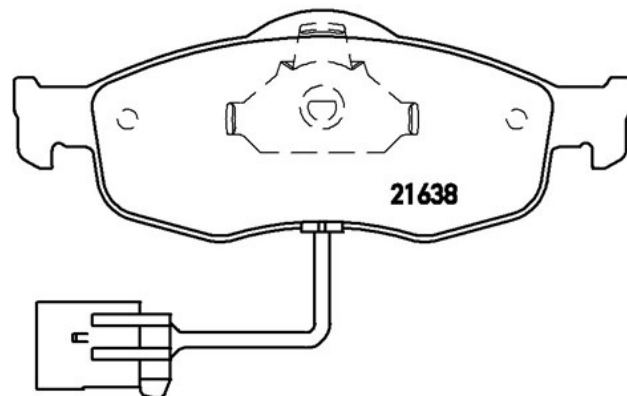
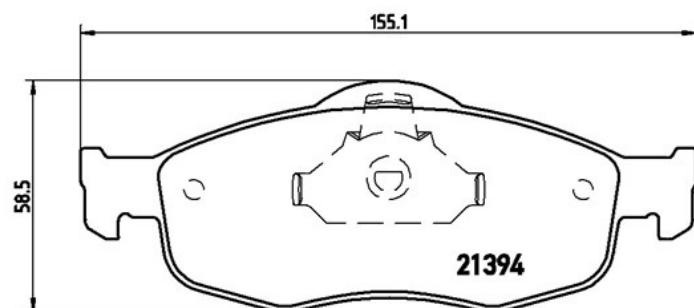
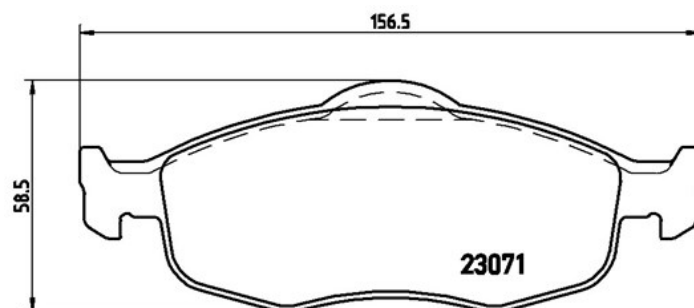
Accesorii
Cu accesorii

Sezor uzură
Electric

Cod EAN
8020584052068



 **brembo**



Autovehicule compatibile

FORD

Model	Tip	kW	An
COUGAR (EC_)	2.0 16V	96	08/98 12/01
COUGAR (EC_)	2.5 ST 200	151	01/00 12/01

COUGAR (EC_)	2.5 V6 24V	125	06/00 12/01
COUGAR (EC_)	2.5 V6 24V	125	08/98 12/01
MONDEO I (GBP)	1.6 i 16V	66	02/93 08/96
MONDEO I (GBP)	1.6 i 16V	65	07/94 08/96
MONDEO I (GBP)	1.8 i 16V	85	02/93 08/96
MONDEO I (GBP)	1.8 i 16V	82	07/94 08/96
MONDEO I (GBP)	1.8 TD	65	06/93 08/96
MONDEO I (GBP)	1.8 TD	66	10/95 08/96
MONDEO I (GBP)	2.0 i 16V	100	02/93 08/96
MONDEO I (GBP)	2.0 i 16V	97	12/94 08/96
MONDEO I (GBP)	2.0 i 16V 4x4	100	04/93 08/96
MONDEO I Saloon (GBP)	1.6 i 16V	66	02/93 08/96
MONDEO I Saloon (GBP)	1.6 i 16V	65	07/94 08/96
MONDEO I Saloon (GBP)	1.8 i 16V	82	01/94 08/96
MONDEO I Saloon (GBP)	1.8 i 16V	85	02/93 08/96
MONDEO I Saloon (GBP)	1.8 TD	65	06/93 08/96
MONDEO I Saloon (GBP)	1.8 TD	66	10/95 08/96
MONDEO I Saloon (GBP)	2.0 i 16V	100	02/93 08/96
MONDEO I Saloon (GBP)	2.0 i 16V 4x4	100	02/93 08/96
MONDEO I Turnier (BNP)	1.6 i 16V	66	04/93 08/96
MONDEO I Turnier (BNP)	1.6 i 16V	65	07/94 08/96
MONDEO I Turnier (BNP)	1.8 i 16V	85	04/93 08/96
MONDEO I Turnier (BNP)	1.8 i 16V	82	07/94 08/96
MONDEO I Turnier (BNP)	1.8 i 16V 4x4	85	04/93 08/96
MONDEO I Turnier (BNP)	1.8 TD	65	06/93 08/96
MONDEO I Turnier (BNP)	1.8 TD	66	11/95 08/96
MONDEO I Turnier (BNP)	2.0 i 16V	97	01/93 08/96
MONDEO I Turnier (BNP)	2.0 i 16V	100	04/93 08/96
MONDEO I Turnier (BNP)	2.0 i 16V 4x4	100	04/93 08/96
MONDEO II (BAP)	1.6 i	66	08/96 09/00
MONDEO II (BAP)	1.6 i 16V	70	05/98 09/00

MONDEO II (BAP)	1.8 i	85	08/96 09/00
MONDEO II (BAP)	1.8 TD	66	08/96 09/00
MONDEO II (BAP)	2.0 i	96	08/96 09/00
MONDEO II (BAP)	2.5 24V	125	06/00 09/00
MONDEO II (BAP)	2.5 24V	125	08/96 09/00
MONDEO II (BAP)	2.5 ST 200	151	05/99 09/00
MONDEO II Saloon (BFP)	1.6 i	66	08/96 09/00
MONDEO II Saloon (BFP)	1.6 i 16V	70	05/98 09/00
MONDEO II Saloon (BFP)	1.8 i	85	08/96 09/00
MONDEO II Saloon (BFP)	1.8 TD	66	08/96 09/00
MONDEO II Saloon (BFP)	2.0 i	96	08/96 09/00
MONDEO II Saloon (BFP)	2.5 24V	125	06/00 09/00
MONDEO II Saloon (BFP)	2.5 24V	125	08/96 09/00
MONDEO II Saloon (BFP)	2.5 ST 200	151	05/99 09/00
MONDEO II Tumier (BNP)	1.6 i	66	08/96 09/00
MONDEO II Tumier (BNP)	1.6 i 16V	70	05/98 09/00
MONDEO II Tumier (BNP)	1.8 i	85	08/96 09/00
MONDEO II Tumier (BNP)	1.8 TD	66	08/96 09/00
MONDEO II Tumier (BNP)	2.0 i	96	08/96 09/00
MONDEO II Tumier (BNP)	2.5 24V	125	08/96 09/00
MONDEO II Tumier (BNP)	2.5 24V	125	10/99 09/00
MONDEO II Tumier (BNP)	2.5 ST 200	151	05/99 09/00
SCORPIO I (GAE, GGE)	2.0	80	11/88 10/92
SCORPIO I (GAE, GGE)	2.0 i	85	02/92 09/94
SCORPIO I (GAE, GGE)	2.0 i	88	05/89 09/94
SCORPIO I (GAE, GGE)	2.4 i Cat	92	10/88 09/94
SCORPIO I (GAE, GGE)	2.5 TD	68	06/88 07/93
SCORPIO I (GAE, GGE)	2.5 TD	85	08/93 09/94
SCORPIO I (GAE, GGE)	2.9 i	107	09/86 09/94
SCORPIO I (GAE, GGE)	2.9 i	110	09/86 09/94
SCORPIO I (GAE, GGE)	2.9 i 4x4	107	05/88 02/93

SCORPIO I (GAE, GGE)	2.9 i 4x4	110	09/86 09/94
SCORPIO I (GAE, GGE)	2.9 i Cat	107	10/87 09/94
SCORPIO I Saloon (GGE)	1.9	85	11/92 09/93
SCORPIO I Saloon (GGE)	2.0	77	03/90 08/92
SCORPIO I Saloon (GGE)	2.0	80	06/89 03/93
SCORPIO I Saloon (GGE)	2.0 i	85	02/92 09/94
SCORPIO I Saloon (GGE)	2.0 i	88	05/89 09/94
SCORPIO I Saloon (GGE)	2.4 i	92	10/88 10/94
SCORPIO I Saloon (GGE)	2.5 D	51	12/89 12/94
SCORPIO I Saloon (GGE)	2.5 TD	68	06/88 07/93
SCORPIO I Saloon (GGE)	2.5 TD	85	08/93 09/94
SCORPIO I Saloon (GGE)	2.9 i	107	09/86 12/94
SCORPIO I Saloon (GGE)	2.9 i 4x4	107	12/89 10/94
SCORPIO I Tumier (GGE)	2.0 i	85	09/91 09/94
SCORPIO I Tumier (GGE)	2.0 i	88	09/91 09/94
SCORPIO I Tumier (GGE)	2.4 i	92	09/91 09/94
SCORPIO I Tumier (GGE)	2.5 D	51	10/90 08/92
SCORPIO I Tumier (GGE)	2.5 TD	85	08/93 09/94
SCORPIO I Tumier (GGE)	2.5 TD	68	09/91 07/93
SCORPIO I Tumier (GGE)	2.9 i	107	09/91 09/94
SCORPIO I Tumier (GGE)	2.9 i 4x4	107	05/88 02/93
SCORPIO II (GFR, GGR)	2.0 i	85	10/94 08/98
SCORPIO II (GFR, GGR)	2.0 i 16V	100	10/94 08/98
SCORPIO II (GFR, GGR)	2.3 i 16V	108	06/96 08/98
SCORPIO II (GFR, GGR)	2.5 TD	92	09/96 08/98
SCORPIO II (GFR, GGR)	2.5 TD	85	10/94 08/98
SCORPIO II (GFR, GGR)	2.9 i	110	02/95 08/98
SCORPIO II (GFR, GGR)	2.9 i 24V	152	10/94 08/98
SCORPIO II Tumier (GFR, GGR)	2.0 i	85	10/94 08/98
SCORPIO II Tumier (GFR, GGR)	2.0 i 16V	100	10/94 08/98
SCORPIO II Tumier (GFR, GGR)	2.3 i 16V	108	06/96 08/98

SCORPIO II Tumier (GNR, GGR)	2.5 TD	92	09/96 08/98
SCORPIO II Tumier (GNR, GGR)	2.5 TD	85	10/94 08/98
SCORPIO II Tumier (GNR, GGR)	2.9 i	110	02/95 08/98
SCORPIO II Tumier (GNR, GGR)	2.9 i 24V	152	10/94 08/98

FORD AUSTRALIA

Model	Tip	kW	An
COUGAR Coupe (SW, SX)	2.5	125	10/99 03/03
MONDEO Estate (HB, HC, HA)	2.0 i (HA, HB)	97	07/95 12/98
MONDEO Hatchback (HA, HB, HC)	2.0	96	07/95 02/00
MONDEO Saloon (HA, HB, HC, HD)	2.0 (HA, HB, HC)	97	07/95 02/00
MONDEO Saloon (HE)	2.5 (HE)	125	02/00 04/01

FORD USA

Model	Tip	kW	An
CONTOUR	2.0 S	93	08/93 12/97
CONTOUR	2.5 SE	127	09/93 08/96
CONTOUR	2.0	96	09/97 08/00
CONTOUR	2.5	127	09/97 08/00
CONTOUR	2.5 SVT	149	09/97 08/00

MERCURY

Model	Tip	kW	An
MYSTIQUE	2.0	93	02/94 08/01
MYSTIQUE	2.0	96	09/97 08/01
MYSTIQUE	2.5	127	09/94 08/01

Coduri OE

Coduri OE compatibile

FORD	1022079
FORD	1073732
FORD	1079348
FORD	1095202
FORD	1096940
FORD	1130758
FORD	1145455

FORD	1521325
FORD	5029148
FORD	6827586
FORD	6877837
FORD	6882582
FORD	7261715
FORD	93BB2K021FB
FORD	93BX2K021BA
FORD	93BX2K021FB
FORD	93GB2K021AB
FORD	93GB2K021AC
FORD	94GB2K021AA
FORD	94GB2K021AB
FORD	97BG2K021AA
FORD	97BG2K021AB
FORD	97BX2K021AA
FORD	97BX2K021AB
FORD	97BX2K021AC
FORD	ME97BX2K021AD
MERCURY	2S8Z2001AA
MERCURY	XS8Z2001AA
MERCURY	XS8Z2001DA