

## Specificații tehnice plăcuțe

**Osie**  
Anterioară

**WVA**  
21358,21910

**Lățime**  
156,4 mm

**Grosime**  
19,8 mm

**Înălțime**  
58,6 mm

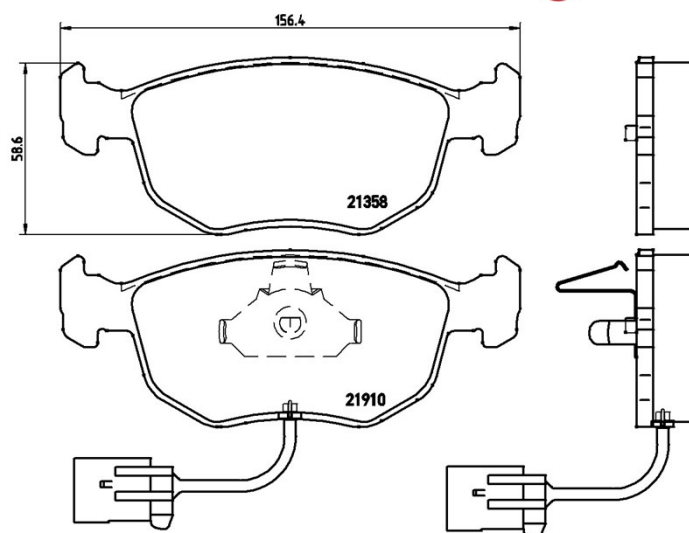
**Sistem de frânare**  
Teves

**Accesorii**

**Sezor uzură**  
Electric

**Cod EAN**  
8020584052075





## Autovehicule compatibile

### FORD

Model	Tip	kW/CV	An
MONDEO I (GBP)	1.8 i 16V 4x4	85	02/93 08/96
MONDEO I (GBP)	2.0 i 16V 4x4	97	12/94 08/96
MONDEO I (GBP)	2.5 i 24V	125	07/94 08/96
MONDEO I Saloon (GBP)	1.8 4x4	85	02/93 08/96
MONDEO I Saloon (GBP)	2.0 i 16V 4x4	97	12/94 08/96
MONDEO I Saloon (GBP)	2.5 i 24V	125	07/94 08/96
MONDEO I Turnier (BNP)	2.0 i 16V 4x4	97	12/94 08/96
MONDEO I Turnier (BNP)	2.5 i 24V	125	07/94 08/96
MONDEO II (BAP)	2.5 24V	125	08/96 09/00
MONDEO II Saloon (BFP)	2.5 24V	125	08/96 09/00

MONDEO II Tumier (BNP)	2.5 24V	125	08/96 09/00
SCORPIO I (GAE, GGE)	2.9 i 24V	143	04/91 09/94
SCORPIO I Saloon (GGE)	2.9 i 24V	143	04/91 09/94
SCORPIO I Tumier (GGE)	2.9 24V	143	08/93 09/94
SCORPIO II (GFR, GGR)	2.9 i 24V	152	10/94 08/98
SCORPIO II Tumier (GNR, GGR)	2.9 i 24V	152	10/94 08/98
SIERRA (GBG, GB4)	2.0 16V Cosworth 4x4	162	01/90 02/93
SIERRA (GBG, GB4)	2.0 i	90	01/90 02/93
SIERRA Hatchback (GBC, GBG)	2.0 16V Cosworth 4x4	162	01/90 02/93
SIERRA Hatchback (GBC, GBG)	2.0 16V Cosworth Cat 4x4	162	01/90 02/93

## FORD USA

Model	Tip	kW/CV	An
CONTOUR	2.0	96	09/97 08/00
CONTOUR	2.5	127	09/97 08/00
CONTOUR	2.5 SVT	149	09/97 08/00

## MERCURY

Model	Tip	kW/CV	An
MYSTIQUE	2.0	96	09/97 08/01

## Coduri OE

### Coduri OE compatibile

FORD	1022078
FORD	1097769
FORD	1145456
FORD	6827587
FORD	6877835
FORD	6882583
FORD	7261716
FORD	93BB2K021BC
FORD	93BB2K021DD
FORD	93BX2K021DC