

Specificații tehnice plăcuțe

Osie
Anterioară

WVA
23101, 23102

Lățime
141,4 mm

Grosime
17,5 mm

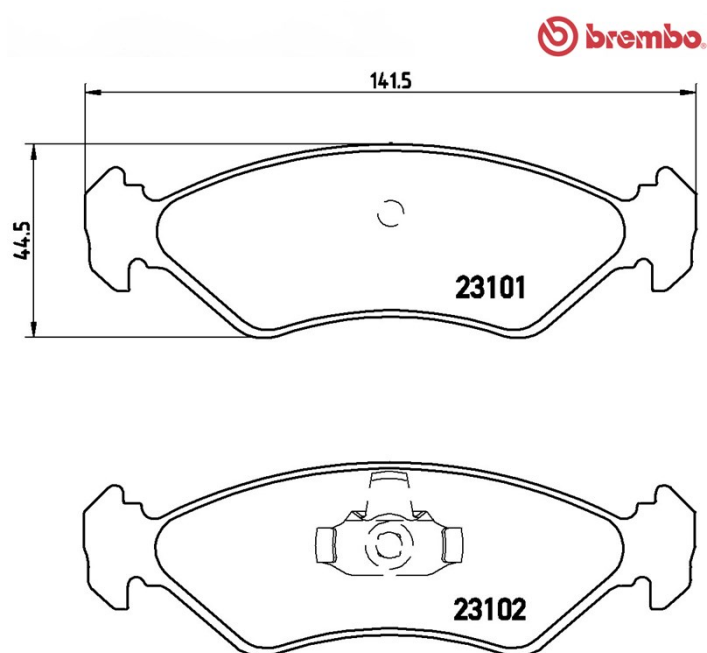
Înălțime
44,6 mm

Sistem de frânare
Teves

Accesorii
Cu dema pistonului

Sezor uzură
Fără

Cod EAN
8020584052167



Autovehicule compatibile

FORD

Model	Tip	kW	An
COURIER Pickup	1.6	74	08/01 12/11
FIESTA Box (F3L, F5L)	1.3	44	09/91 02/96
FIESTA Box (F3L, F5L)	1.8 D	44	09/91 02/96
FIESTA Box (FVD)	1.8 D (FVJ)	43	03/89 12/95
FIESTA III (GFJ)	1.0	33	03/89 12/95
FIESTA III (GFJ)	1.1	37	03/89 12/95
FIESTA III (GFJ)	1.1	40	03/89 12/95
FIESTA III (GFJ)	1.3	44	03/89 12/92
FIESTA III (GFJ)	1.3	44	03/89 12/95

FIESTA III (GFJ)	1.3 Cat	44	05/91 01/97
FIESTA III (GFJ)	1.4	52	03/89 12/95
FIESTA III (GFJ)	1.4	54	03/89 12/95
FIESTA III (GFJ)	1.4	55	11/92 12/96
FIESTA III (GFJ)	1.4 Cat	54	03/89 12/95
FIESTA III (GFJ)	1.8 D	44	03/89 12/95
FIESTA III (GFJ)	1.8 TD	55	03/93 12/95
FIESTA IV (JA_, JB_)	1.0 i	38	02/97 09/99
FIESTA IV (JA_, JB_)	1.0 i	48	09/99 01/02
FIESTA IV (JA_, JB_)	1.1	37	09/95 12/96
FIESTA IV (JA_, JB_)	1.25 i 16V	55	08/95 01/02
FIESTA IV (JA_, JB_)	1.3 i	37	08/95 01/02
FIESTA IV (JA_, JB_)	1.3 i	44	08/95 01/02
FIESTA IV (JA_, JB_)	1.8 D	44	08/95 04/00
KA	1.6	70	02/08 -
KA (RB_)	1.0 i	38	07/97 09/99
KA (RB_)	1.0 i	48	09/99 11/08
KA (RB_)	1.3 i	36	06/98 11/08
KA (RB_)	1.3 i	37	09/96 10/02
KA (RB_)	1.3 i	44	09/96 11/08

FORD AUSTRALIA

Model	Tip	kW	An
KA Hatchback (TA, TB)	1.3	44	11/99 12/03

MAZDA

Model	Tip	kW	An
121 III (JASM, JBSM)	1.25	55	03/96 04/03
121 III (JASM, JBSM)	1.3	37	03/96 04/03
121 III (JASM, JBSM)	1.3	44	03/96 04/03
121 III (JASM, JBSM)	1.8 D	44	03/96 04/03

Coduri OE

Coduri OE compatibile

FORD

1010502

FORD	1013843
FORD	1030601
FORD	1042687
FORD	1064762
FORD	1079919
FORD	1090276
FORD	1947389
FORD	96FB2K021AA
FORD	96FB2K021CA
FORD	96FX2K021AA
FORD	97FB2K021AA
FORD	97FU2K021CA
FORD	98FB2K021AA
FORD	98FX2K021AA
FORD	MEYS6J2K021AC
FORD	YS6J2K021AA
MAZDA	1E033323Z
MAZDA	1E033323ZA
MAZDA	1E033323ZB
MAZDA	1E033323ZC9C
MITSUBISHI	1E003323Z
MITSUBISHI	1E033323ZB9C