



BRAKE PAD

P 24 050

The P 24 050 brake pad is synonymous with reliability

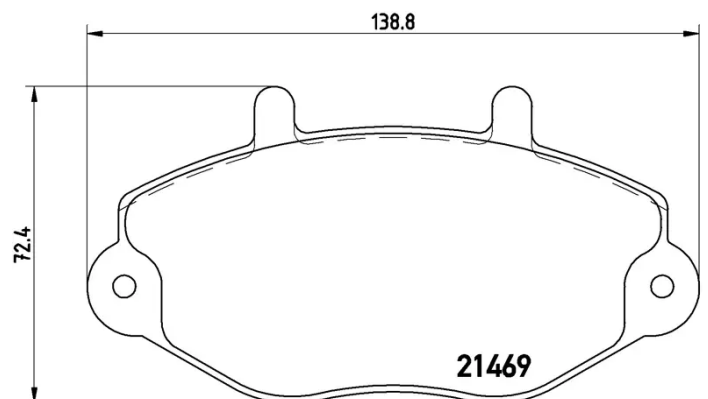
The Brembo brake pad guarantees ultimate safety when braking thanks to the use of more than 100 different compounds, designed according to the type of vehicle and use. Stopping distances reduced to a minimum, maximum driving comfort and silent operation are the most important features of Brembo materials. Brembo brake pads are supplied together with an extensive range of accessories and assembly kits for professional-standard installation.

- ✓ OE-equivalent
- ✓ Brembo quality
- ✓ ECE-R90 certificate
- ✓ Safety
- ✓ Performance
- ✓ Comfort



Technical specifications

EAN code	Axle	Thickness
8020584052228	Front	19 mm
Width	Height	Braking system
139 mm	72 mm	Bendix
Wear indicator	WVA number	Accessories
Acoustic	21469	With anti-squeal shim



COMPATIBLE VEHICLES

COMPATIBLE OE PART NUMBERS

1074972	FORD
---------	------

1134159	FORD
---------	------

1301592	FORD
---------	------

92VB2K021BD	FORD
-------------	------

92VB2K021BE	FORD
-------------	------

93VX2K021BB	FORD
-------------	------
