

Specificații tehnice plăcuțe

Osie
Anterioară

WVA
21245, 21246

Lățime
129,12 mm

Grosime
17,4 mm

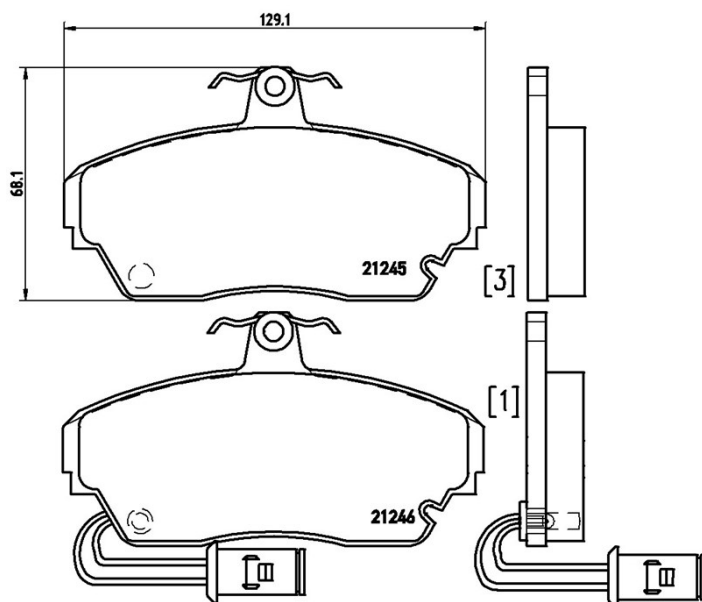
Înălțime
68,1 mm

Sistem de frânare
Lucas

Accesorii

Sezor uzură
Electric

Cod EAN
8020584052488



Autovehicule compatibile

ACURA

Model	Tip	kW	An
LEGEND	2.0	107	01/88 08/91
LEGEND	2.5	122	01/86 12/87
LEGEND	2.7	124	01/87 08/91
LEGEND	2.7	130	01/87 08/91
LEGEND Coupe	2.7	130	01/87 08/91

HONDA

Model	Tip	kW	An
LEGEND I (HS, KA)	2.5 i (HS)	110	01/86 12/87
LEGEND I (HS, KA)	2.5 i (HS)	127	02/87 06/88

LEGEND I (HS, KA)	2.7 i 24V (KA4)	124	01/88 12/90
LEGEND I Coupe (KA_)	2.7 i 24V (KA3)	124	10/87 12/90
ROVER			
Model	Tip	kW	An
800 (XS)	2.0 E	84	10/88 10/91
800 (XS)	820	74	10/88 10/91
800 (XS)	820 16 V I/SI (XS)	103	10/86 10/88
800 (XS)	820 I/SI (RS)	100	01/92 02/99
800 (XS)	820 SE/SI	88	10/86 12/91
800 (XS)	820 SI (XS)	98	10/88 12/91
800 (XS)	820e	88	10/86 10/91
800 (XS)	825 D/SD (XS)	87	01/90 02/99
800 Hatchback (XS)	2.0	100	08/87 09/88
800 Hatchback (XS)	2.0	74	08/87 10/91
800 Hatchback (XS)	820 i/Si (XS)	103	10/88 12/91
800 Hatchback (XS)	820 SE/SI	88	10/86 12/91
800 Hatchback (XS)	820 SI (XS)	98	10/88 12/91
800 Hatchback (XS)	825 D/SD (XS)	87	01/92 02/99
TATA			
Model	Tip	kW	An
INDICA (40_V2)	1.4 D	37	07/03 02/08
INDICA (40_V2)	1.4 D	39	10/98 02/08
INDICA (40_V2)	1.4 Elegance	62	07/03 -
INDICA (40_V2)	1.4 i	55	10/98 -
INDICA (40_V2)	1.4 L	44	06/98 09/02
INDICA (40_V2)	1.4 TD	52	07/03 -
INDICA (40_V2)	1.4 TD LS	46	06/98 06/03

Coduri OE

Coduri OE compatibile

HONDA	45022SG9000
HONDA	45022SG9V00
HONDA	45215SG9000
ROVER	GBP90309

ROVER

GBP90311

ROVER

GBP90334
