

## Specificații tehnice plăcuțe

**Osie**  
Anterioară

**WVA**  
21012

**Lățime**  
127,4 mm

**Grosime**  
14,8 mm

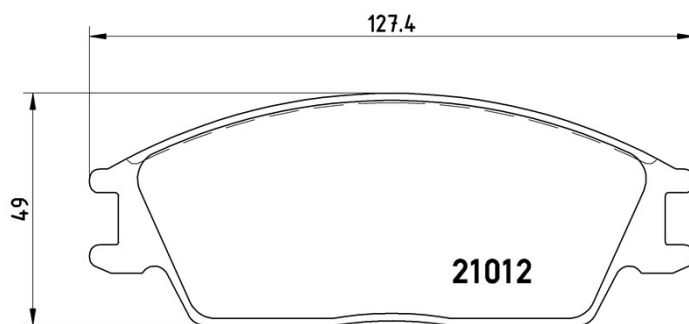
**Înălțime**  
49 mm

**Sistem de frânare**  
Akebono

**Accesorii**

**Sezor uzură**  
Fără

**Cod EAN**  
8020584052716



## Autovehicule compatibile

### HONDA

Model	Tip	kW	An
ACCORD II (AC, AD)	1.6 EX (AC)	65	09/83 10/85
ACCORD II (AC, AD)	1.8 EX (AD)	74	09/83 10/85
ACCORD II Hatchback (AC, AD)	1.6 EX (AC)	65	09/83 10/85
ACCORD II Hatchback (AC, AD)	1.8 EX (AD)	74	09/83 10/85

### HYUNDAI

Model	Tip	kW	An
GETZ (TB)	1.1	46	09/02 09/05
GETZ (TB)	1.1	49	09/05 06/09
GETZ (TB)	1.3	63	09/03 09/05
GETZ (TB)	1.3	61	09/04 06/09
GETZ (TB)	1.3 i	60	09/02 03/04
GETZ (TB)	1.4 i	71	08/05 12/10
GETZ (TB)	1.5 CRDi	60	03/03 09/05

GETZ (TB)	1.5 CRDi	65	08/05 06/09
GETZ (TB)	1.5 CRDi GLS	75	07/04 08/05
GETZ (TB)	1.5 CRDi GLS	81	08/05 06/09
GETZ (TB)	1.5 i	73	03/03 09/05
GETZ (TB)	1.6	78	06/05 12/06
GETZ (TB)	1.6	77	09/02 09/05
PONY (X-2)	1.3	43	10/89 01/95
PONY (X-2)	1.3	49	10/89 01/95
PONY (X-2)	1.5	53	10/89 01/95
PONY (X-2)	1.5 i	61	10/89 01/95
PONY (X-2)	1.5 i	62	10/89 01/95
PONY / EXCEL Saloon (X-2)	1.3	49	01/90 01/95
PONY / EXCEL Saloon (X-2)	1.3	51	09/89 08/94
PONY / EXCEL Saloon (X-2)	1.3	48	12/92 09/94
PONY / EXCEL Saloon (X-2)	1.5	53	01/90 01/95
PONY / EXCEL Saloon (X-2)	1.5 i	61	01/90 01/95
PONY / EXCEL Saloon (X-2)	1.5 i	62	01/90 01/95
S COUPE (SLC)	1.5 GS	57	03/90 12/92
S COUPE (SLC)	1.5 i	62	02/90 05/96
S COUPE (SLC)	1.5 i Turbo	85	04/91 05/96
STELLAR (F31_, SF2_)	1.6	56	10/83 12/91

## Coduri OE

### Coduri OE compatibile

HYUNDAI	581011CA10
HYUNDAI	5810124A00
HYUNDAI	5810132300
HYUNDAI	5810132310
HYUNDAI	5810132B00