

Specificații tehnice plăcuțe

Osie
Anterioară

WVA
23891, 23892, 23893

Lățime
131,6 mm

Grosime
16,9 mm

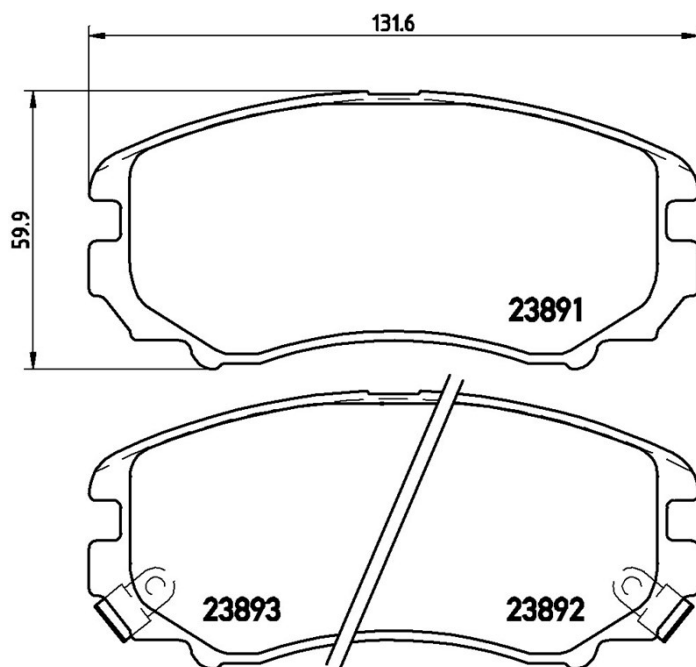
Înălțime
59,9 mm

Sistem de frânare
Mando

Accesorii

Sezor uzură
Acustic

Cod EAN
8020584052884



Autovehicule compatibile

HYUNDAI

Model	Tip	kW	An
COUPE (GK)	1.6 16V	77	03/02 08/09
COUPE (GK)	1.6 16V	79	03/02 08/09
COUPE (GK)	2.0	102	03/02 08/09
COUPE (GK)	2.0	100	08/01 08/09
COUPE (GK)	2.0 GLS	105	02/03 08/09
COUPE (GK)	2.7 V6	121	01/01 08/09
COUPE (GK)	2.7 V6	123	03/02 08/09
ELANTRA Saloon (HD)	1.6 CRDi	85	11/05 12/11

ELANTRA Saloon (HD)	1.6 CVVT	90	06/06 06/11
ix20 (JC)	1.4	66	11/10 -
ix20 (JC)	1.6	92	11/10 -
SONATA IV (EF)	2.0 16V	96	10/01 11/04
SONATA IV (EF)	2.0 16V	106	10/01 11/04
SONATA IV (EF)	2.0 CRDi Dynamic	103	10/01 11/04
SONATA IV (EF)	2.7 i V6	132	10/01 05/05
SONATA IV (EF)	2.7 V6	127	10/01 11/04
SONATA IV (EF)	2.7 V6	129	11/02 11/04
TIBURON Coupe	1.6 CVVT	78	10/06 12/08
TIBURON Coupe	2.0 CVVT	105	10/06 12/08
TUCSON (JM)	2.0	105	01/07 01/12
TUCSON (JM)	2.0	104	08/04 -
TUCSON (JM)	2.0	116	09/09 11/10
TUCSON (JM)	2.0 All-wheel Drive	105	07/05 11/10
TUCSON (JM)	2.0 All-wheel Drive	104	08/04 03/10
TUCSON (JM)	2.0 CRDi	100	01/06 03/10
TUCSON (JM)	2.0 CRDi	103	01/06 03/10
TUCSON (JM)	2.0 CRDi	88	01/07 03/10
TUCSON (JM)	2.0 CRDi	110	01/09 03/10
TUCSON (JM)	2.0 CRDi	83	08/04 03/10
TUCSON (JM)	2.0 CRDi All-wheel Drive	100	01/06 03/10
TUCSON (JM)	2.0 CRDi All-wheel Drive	103	01/06 03/10
TUCSON (JM)	2.0 CRDi All-wheel Drive	88	01/07 03/10
TUCSON (JM)	2.0 CRDi All-wheel Drive	110	01/09 03/10
TUCSON (JM)	2.0 CRDi All-wheel Drive	83	08/04 03/10
TUCSON (JM)	2.7	129	08/04 12/09
TUCSON (JM)	2.7 All-wheel Drive	129	08/04 -
HYUNDAI (BEIJING)			
Model	Tip	kW	An
MOINCA (MING YU)	1.8	95	08/09 12/16
MOINCA (MING YU)	2.0	101	08/08 12/14
SONATA (EF)	2.0	101	12/02 12/10
SONATA (EF)	2.5	121	12/02 07/07

SONATA (EF)	2.7	131	12/02 07/07
SONATA (NF)	2.0	107	09/05 12/10
SONATA (NF)	2.4	121	09/05 12/10
SONATA (NFC)	2.0	121	12/08 12/12
SONATA (NFC)	2.4	128	12/08 12/12
SONATA (YF)	2.0	121	04/11 02/15
SONATA (YF)	2.4	127	04/11 02/15
TUCSON (JM)	2.0	104	05/05 12/15
TUCSON (JM)	2.0 All-wheel Drive	104	05/05 12/15
TUCSON (JM)	2.7 All-wheel Drive	127	05/05 -
KIA			
Model	Tip	kW	An
MAGENTIS (GD, MS)	2.0	100	05/01 09/05
MAGENTIS (GD, MS)	2.5 V6	124	05/01 -
SOUL (AM)	1.6	91	09/09 12/14
SOUL (AM)	1.6 CRDi 115	85	02/09 -
SOUL (AM)	1.6 CRDi 128	94	02/09 -
SOUL (AM)	1.6 CVVT	77	02/09 -
SOUL (AM)	1.6 CVVT	93	02/09 -
SOUL (AM)	1.6 CVVT	95	03/12 -
SOUL (AM)	1.6 GDI	103	06/11 -
SOUL (AM)	1.6 LPG	92	02/09 12/14
SOUL (AM)	2.0	122	02/09 -
SOUL (AM)	2.0	106	09/09 12/11
SPORTAGE (JE_, KM_)	2.0	122	01/09 05/10
SPORTAGE (JE_, KM_)	2.0 16V 4WD	104	09/04 -
SPORTAGE (JE_, KM_)	2.0 CRDi	100	01/06 -
SPORTAGE (JE_, KM_)	2.0 CRDi	103	01/06 -
SPORTAGE (JE_, KM_)	2.0 CRDi	83	02/05 -
SPORTAGE (JE_, KM_)	2.0 CRDi 4WD	100	01/06 -
SPORTAGE (JE_, KM_)	2.0 CRDi 4WD	103	01/06 -
SPORTAGE (JE_, KM_)	2.0 CRDi 4WD	83	09/04 -
SPORTAGE (JE_, KM_)	2.0 i 16V	104	09/04 -
SPORTAGE (JE_, KM_)	2.7 V6 4WD	129	09/04 -

VENGA (YN)	1.4 CRDi 75	55	02/10 -
VENGA (YN)	1.4 CRDi 75	57	02/10 -
VENGA (YN)	1.4 CRDi 90	66	02/10 -
VENGA (YN)	1.4 CVVT	66	02/10 -
VENGA (YN)	1.4 LPG	66	02/10 -
VENGA (YN)	1.6 CRDi 115	85	02/10 -
VENGA (YN)	1.6 CRDi 128	94	02/10 -
VENGA (YN)	1.6 CVVT	92	02/10 -

KIA (DYK)

Model	Tip	kW	An
K5	2.0	121	03/11 12/12
K5	2.4	132	03/11 -
OPTIMA	1.8	94	08/05 12/12
OPTIMA	2.0	101	09/04 12/13
SOUL Hatchback	1.6	91	12/09 12/17
SOUL Hatchback	2.0	105	12/09 12/11
SPORTAGE Closed Off-Road Vehicle	2.0	104	01/09 12/17
SPORTAGE Closed Off-Road Vehicle	2.0	101	11/07 12/17
SPORTAGE Closed Off-Road Vehicle	2.0 All-wheel Drive	104	10/07 12/17
SPORTAGE Closed Off-Road Vehicle	2.7 All-wheel Drive	127	11/07 12/11

Coduri OE

Coduri OE compatibile

HYUNDAI	581011FA50
HYUNDAI	581012CA10
HYUNDAI	581012CA11
HYUNDAI	581012CA20
HYUNDAI	581012EA10
HYUNDAI	581012EA11
HYUNDAI	581012HA10
HYUNDAI	5810138A81
HYUNDAI	5810138A90
KIA	581011FE00
KIA	581011FE01

KIA

581012KA10

KIA

581013CA80
