

Specificații tehnice plăcuțe

Osie
Posterioară

WVA
20233,20572

Lățime
89,9 mm

Grosime
13,2 mm

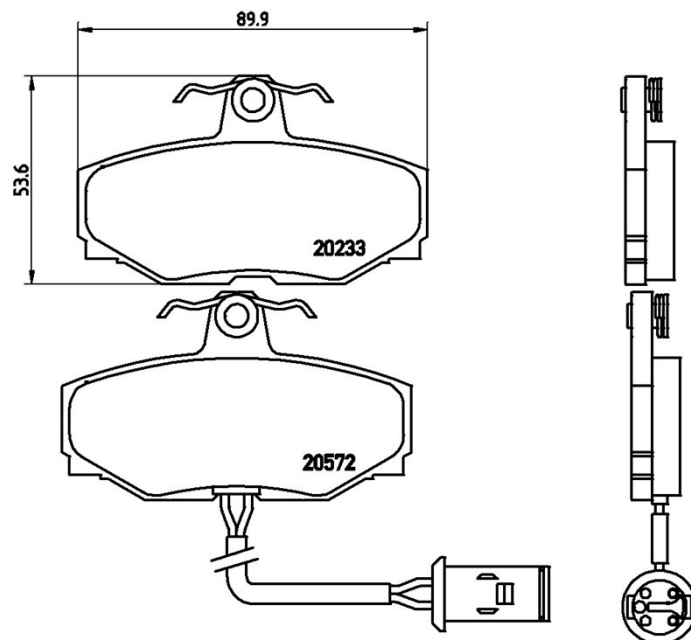
Înălțime
53,6 mm

Sistem de frânare
Lucas

Accesorii
Cu șuruburi cu șuruburi de frână

Sezor uzură
Electric

Cod EAN
8020584052990



Autovehicule compatibile

DAIMLER

Model	Tip	kW	An
XJ 40, 81	Sovereign 3.6	145	10/86 07/89
XJ 40, 81	Sovereign 3.6	136	10/86 09/89
XJ 40, 81	Sovereign 4.0	163	09/89 09/94

JAGUAR

Model	Tip	kW	An
XJ (XJ40, XJ81)	3.6	136	10/86 08/89
XJ (XJ40, XJ81)	6 2.9	108	10/86 08/90
XJ (XJ40, XJ81)	6 2.9	117	10/86 08/90

XJ (XJ40, XJ81)	6 2.9	123	10/86 08/90
XJ (XJ40, XJ81)	6 3.6	145	10/86 08/89
XJ (XJ40, XJ81)	6 3.6	156	10/86 08/89
XJ (XJ40, XJ81)	6 4.0	163	09/89 11/94
XJ Coupe	3.6	146	01/88 05/91
XJ Coupe	3.6	136	01/88 05/92
XJ Coupe	3.6	162	10/83 12/88
XJ Coupe	3.6	156	10/83 12/89
XJ Coupe	4.0	175	10/86 12/89
XJ Coupe	5.3	197	01/86 12/89
XJ Coupe	5.3	202	01/88 06/91
XJ Coupe	5.3	211	09/73 05/92
XJ Coupe	5.3 H.E.	217	07/81 12/87
XJ Coupe	5.3 H.E.	194	09/85 09/92
XJ Coupe	6.0	238	09/89 12/93
XJSC Convertible (X27)	3.6	136	08/87 05/91
XJSC Convertible (X27)	3.6	156	08/87 05/91
XJSC Convertible (X27)	3.6	162	10/86 12/88
XJSC Convertible (X27)	3.6	146	10/87 02/91
XJSC Convertible (X27)	4.0	175	10/87 12/89
XJSC Convertible (X27)	5.3	197	01/86 05/88
XJSC Convertible (X27)	5.3	211	01/88 05/92
XJSC Convertible (X27)	5.3	202	01/88 09/91
XJSC Convertible (X27)	5.3 H.E.	194	07/85 05/92
XJSC Convertible (X27)	5.3 H.E.	217	09/85 12/90

Coduri OE

Coduri OE compatibile

JAGUAR	JJLM1282
JAGUAR	JLM1282
JAGUAR	JLM603