

Specificații tehnice plăcuțe

Osie
Posterioară

WVA
24487,20547

Lățime
140,3 mm

Grosime
16 mm

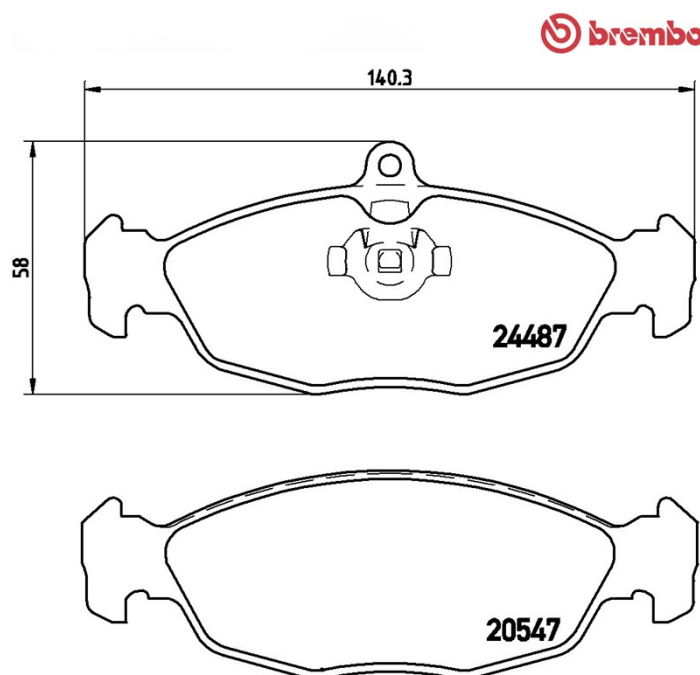
Înălțime
48 - 58 mm

Sistem de frânare
Teves

Accesorii
Cu clema pistonului

Sezor uzură
Cu locaș

Cod EAN
8020584060834



Autovehicule compatibile

ASTON MARTIN

Model	Tip	kW	An
DB7 Vantage	3.2	233	05/94 06/99

DAIMLER

Model	Tip	kW	An
DAIMLER (XJ4_)	4.0	163	10/89 09/94
DAIMLER (XJ4_)	4.0	173	10/89 09/94
DAIMLER (XJ4_)	4.0 Super	183	09/92 09/94
DAIMLER XJ (X30_)	4.0 Long	216	10/97 06/03
DAIMLER XJ (X30_)	Double Six 6.0	229	10/94 06/03

DAIMLER XJ (X30_)	Six 4.0	209	07/97 12/02
DAIMLER XJ (X30_)	Six 4.0	177	10/94 06/03
DAIMLER XJ (X30_)	V8 Super 4.0	267	07/97 06/03

JAGUAR

Model	Tip	kW	An
XJ (X308)	3.2	174	07/97 05/03
XJ (X308)	4.0	209	07/97 05/03
XJ (XJ40, XJ81)	4.0	166	10/89 08/94
XJ (XJ40, XJ81)	4.0	187	10/89 08/94
XJ (XJ40, XJ81)	6 4.0	163	09/89 11/94
XJ (XJ40, XJ81)	V12 6.0	229	03/93 11/94
XK 8 Convertible (X100)	4.0	267	02/98 07/05
XK 8 Convertible (X100)	4.0	209	03/96 12/02
XK 8 Convertible (X100)	4.0	216	05/96 07/99
XK 8 Convertible (X100)	4.0 XKR	276	05/98 07/05
XK 8 Convertible (X100)	4.2	219	08/02 12/06
XK 8 Convertible (X100)	R 4,2	291	08/02 12/06
XK 8 Coupe (X100)	4.0	267	02/98 07/05
XK 8 Coupe (X100)	4.0	209	03/96 07/05
XK 8 Coupe (X100)	4.0	216	05/96 07/05
XK 8 Coupe (X100)	4.0 XKR	276	05/98 07/05
XK 8 Coupe (X100)	4.2	219	08/02 07/05
XK 8 Coupe (X100)	R 4,2	291	08/02 07/05

Coduri OE

Coduri OE compatibile

JAGUAR	JLM021220
JAGUAR	JLM21220
JAGUAR	JLM21918