

Plăcuțe de frână P 37 018

 **brembo**
AFTERMARKET

Specificații tehnice plăcuțe

Osie
Anterioară

WVA
25849, 25859

Lățime
189,6 mm

Grosime
15,4 mm

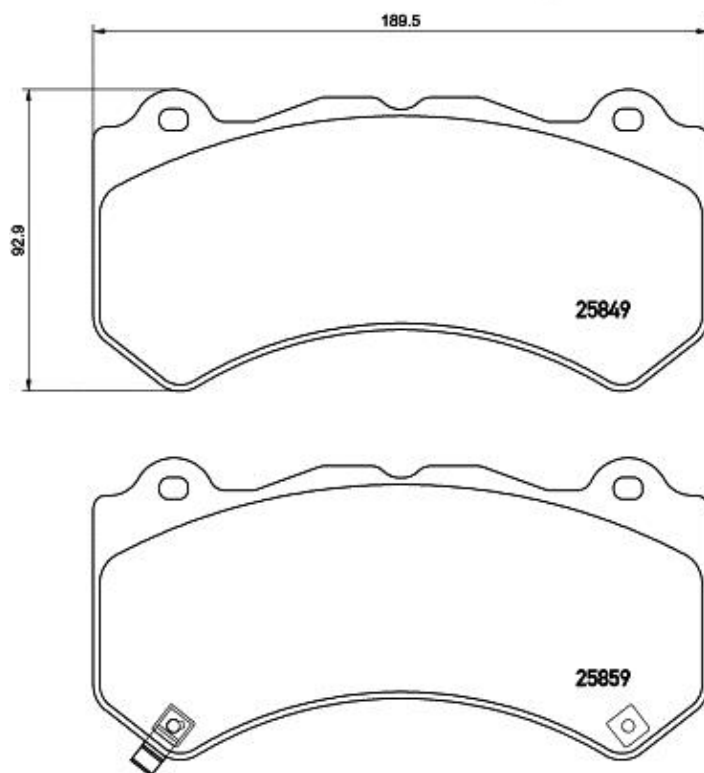
Înălțime
93 mm

Sistem de frânare
Brembo

Accesorii

Sezor uzură
Acustic

Cod EAN
8020584080054



Autovehicule compatibile

DODGE

Model	Tip	kW	An
CHALLENGER Coupe	3.6 Flexfuel	227	09/10 -
CHARGER	6.2 SRT Hellcat	527	09/14 -
CHARGER	6.4 SRT8	351	09/11 -

JEEP

Model	Tip	kW	An
GRAND CHEROKEE IV (WK, WK2)	3.0 4x4	175	09/14 -

GRAND CHEROKEE IV (WK, WK2)	3.0 CRD	179	09/13 -
GRAND CHEROKEE IV (WK, WK2)	3.0 CRD V6 4x4	160	01/11 -
GRAND CHEROKEE IV (WK, WK2)	3.0 CRD V6 4x4	184	07/13 -
GRAND CHEROKEE IV (WK, WK2)	3.0 TD V6 4x4	179	04/14 -
GRAND CHEROKEE IV (WK, WK2)	3.0 V6 4x4	172	06/13 -
GRAND CHEROKEE IV (WK, WK2)	3.6 V6	209	11/10 -
GRAND CHEROKEE IV (WK, WK2)	3.6 V6 4x4	207	11/10 -
GRAND CHEROKEE IV (WK, WK2)	5.7 4x4	268	01/11 -
GRAND CHEROKEE IV (WK, WK2)	6.2 i V8 4x4	522	09/17 -
GRAND CHEROKEE IV (WK, WK2)	6.4 SRT8 4x4	350	09/11 -
GRAND CHEROKEE IV (WK, WK2)	6.4 SRT8 4x4	344	03/11 -

NISSAN

Model	Tip	kW	An
GT-R (R35)	NISMO	441	07/14 -
GT-R (R35)	V6	421	09/16 -
GT-R (R35)	V6	353	12/08 -
GT-R (R35)	V6	397	07/12 -
GT-R (R35)	V6	401	06/13 -
GT-R (R35)	V6	419	06/16 -
GT-R (R35)	V6	390	10/10 09/11
GT-R (R35)	V6	404	10/11 -
GT-R (R35)	V6	408	11/16 -
GT-R (R35)	V6	357	12/07 10/10

Coduri OE

Coduri OE compatibile

CADILLAC	07859031
CADILLAC	25940447
CHEVROLET	25940447
DODGE	00K68248384AB
DODGE	68248384AB
JEEP	00K68144427AA

JEEP 00K68144427AB

JEEP 00K68303052AA

JEEP 68144427AA

JEEP 68144427AB

JEEP 68303052AA

NISSAN D106080B0A

NISSAN D1060JF20D
