

Specificații tehnice plăcuțe

Osie
Anterioară

WVA
24123, 24124

Lățime
155,1 - 156,3 mm

Grosime
20,3 mm

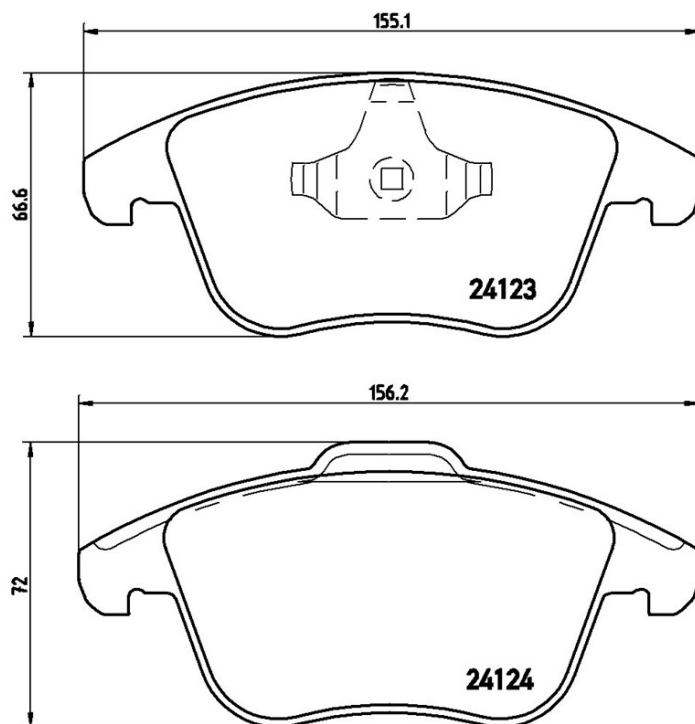
Înălțime
66,6 - 72 mm

Sistem de frânare
Teves

Accesorii
Cu clema pistonului

Sezor uzură
Fără

Cod EAN
8020584103180



Autovehicule compatibile

LAND ROVER

Model	Tip	kW	An
DISCOVERY SPORT (L550)	2.0 D	110	08/15 -
DISCOVERY SPORT (L550)	2.0 D 4x4	132	06/15 -
DISCOVERY SPORT (L550)	2.0 D 4x4	110	12/14 -
RANGE ROVER EVOQUE (L538)	2.0 4x4	176	09/11 -
RANGE ROVER EVOQUE (L538)	2.0 4x4	177	06/11 -
RANGE ROVER EVOQUE (L538)	2.0 4x4	177	08/17 -
RANGE ROVER EVOQUE (L538)	2.0 4x4	213	08/17 -

RANGE ROVER EVOQUE (L538)	2.0 D	110	06/15 -
RANGE ROVER EVOQUE (L538)	2.0 D 4x4	132	05/15 -
RANGE ROVER EVOQUE (L538)	2.0 D 4x4	110	06/15 -
RANGE ROVER EVOQUE (L538)	2.0 D 4x4	177	08/17 -
RANGE ROVER EVOQUE (L538)	2.2 D	110	06/11 -
RANGE ROVER EVOQUE (L538)	2.2 D 4x4	110	06/11 -
RANGE ROVER EVOQUE (L538)	2.2 D 4x4	140	06/11 -
RANGE ROVER EVOQUE Convertible (L538)	2.0 4x4	177	08/17 -
RANGE ROVER EVOQUE Convertible (L538)	2.0 4x4	177	11/15 -
RANGE ROVER EVOQUE Convertible (L538)	2.0 D 4x4	177	08/17 -
RANGE ROVER EVOQUE Convertible (L538)	2.0 D 4x4	110	11/15 -
RANGE ROVER EVOQUE Convertible (L538)	2.0 D 4x4	132	11/15 -
LAND ROVER (CHERY)			
Model	Tip	kW	An
RANGE ROVER EVOQUE	2.0 T 4x4	177	02/15 -

Coduri OE

Coduri OE compatibile

LAND ROVER LR027309