

## Specificații tehnice plăcuțe

**Osie**  
Anterioară

**WVA**  
23487

**Lățime**  
122,9 mm

**Grosime**  
15,5 mm

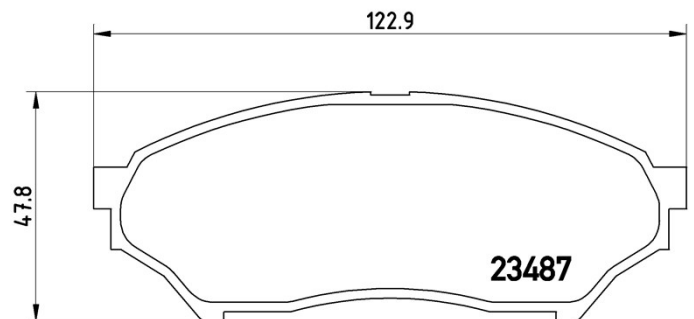
**Înălțime**  
47,8 mm

**Sistem de frânare**  
Sumitomo

**Accesorii**

**Sezor uzură**  
Fără

**Cod EAN**  
8020584054758



## Autovehicule compatibile

### CHANGFENG

Model	Tip	kW	An
FEITENG Closed Off-Road Vehicle	2.0	89	03/04 12/17
FEITENG Closed Off-Road Vehicle	2.0 All-wheel Drive	89	03/04 12/17
LEOPAARD CS7 Closed Off-Road Vehicle	2.0	89	05/09 12/12
LEOPAARD CS7 Closed Off-Road Vehicle	2.0 4WD	89	05/09 12/12

### MITSUBISHI

Model	Tip	kW	An
PAJERO MINI (H5_A)	0.7	38	10/94 08/12
PAJERO MINI (H5_A)	0.7	37	10/94 08/98
PAJERO MINI (H5_A)	0.7 4WD	47	10/94 08/12
PAJERO MINI (H5_A)	0.7 4WD	37	10/94 08/98
PAJERO PININ (H6_W, H7_W)	1.8 (H76W, H66W)	84	11/01 06/07
PAJERO PININ (H6_W, H7_W)	1.8 GDI (H66W, H76W)	88	10/99 10/01
PAJERO PININ (H6_W, H7_W)	2.0 GDI (H67W, H77W)	95	10/00 06/07

**NISSAN**

Model	Tip	kW	An
KIX	0.7 AWD	47	11/08 11/12

**Coduri OE****Coduri OE compatibile**

mitsubishi	MN102615
mitsubishi	MR334950
mitsubishi	MR334953
mitsubishi	MR449854
mitsubishi	MR475453
mitsubishi	MR510533
mitsubishi	MZ690025
mitsubishi	MZ690045
NISSAN	410606A00C
NISSAN	AY040MT012