

Plăcuțe de frână P 56 025



Specificații tehnice plăcuțe

Osie
Anterioară

WVA
21307, 21308

Lățime
119,2 mm

Grosime
14,5 mm

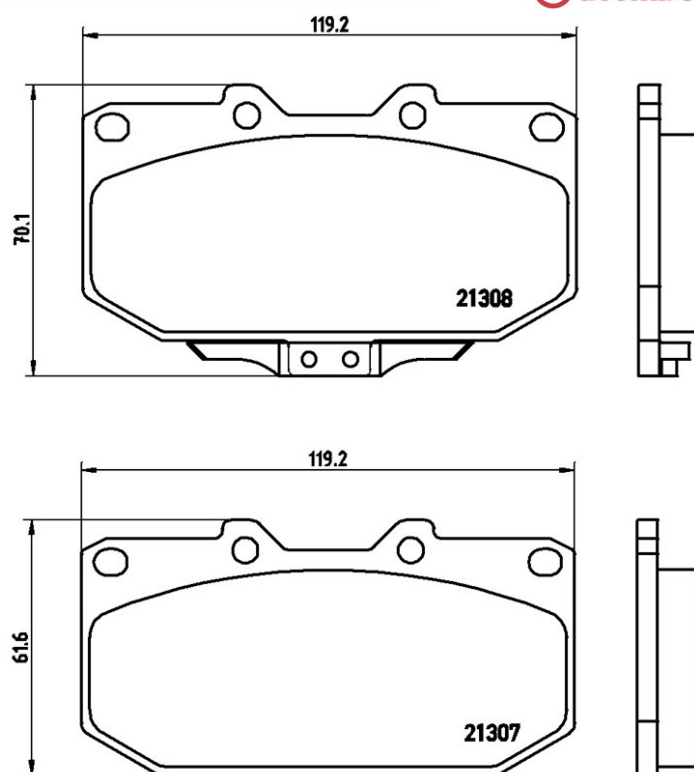
Înălțime
61,6 - 70,1 mm

Sistem de frânare
Sumitomo

Accesorii

Sezor uzură
Acustic

Cod EAN
8020584055052



Autovehicule compatibile

NISSAN

Model	Tip	kW	An
300 ZX (Z32)	3.0 Twin Turbo	197	05/90 09/95
300 ZX (Z32)	3.0 Twin Turbo	208	05/90 09/95
SILVIA (S15)	2000 Turbo	165	11/00 12/03
SILVIA (S15)	2000 Turbo	184	11/00 12/03

SUBARU

Model	Tip	kW	An
-------	-----	----	----

IMPREZA Coupe (GFC)	2.0 AWD	206	09/98 09/00
IMPREZA Estate (GG)	2.0 Turbo AWD (GGA)	160	12/00 12/05
IMPREZA Estate (GG)	2.0 WRX Turbo AWD	165	12/02 09/06
IMPREZA Estate (GG)	2.5 GB270 AWD	198	07/07 12/07
IMPREZA Estate (GG)	2.5 WRX AWD (GGG)	169	09/05 12/08
IMPREZA Saloon (GC)	2.0 AWD (GC8)	206	09/98 09/00
IMPREZA Saloon (GC)	2.0 Turbo GT AWD (GC8)	160	06/98 12/00
IMPREZA Saloon (GD)	2.0 AWD	184	10/05 03/07
IMPREZA Saloon (GD)	2.0 AWD (GDB)	206	10/05 03/07
IMPREZA Saloon (GD)	2.0 WRX Turbo AWD	165	12/02 03/07
IMPREZA Saloon (GD)	2.0 WRX Turbo AWD (GDA)	160	12/00 12/05
IMPREZA Saloon (GD)	2.5 i WRX AWD (GDG)	169	09/05 12/08
IMPREZA Saloon (GD)	2.5 WRX STi AWD (GDF)	206	09/05 12/07
IMPREZA Saloon (GR)	2.5 AWD	200	01/07 12/07

Coduri OE

Coduri OE compatibile

NISSAN	4106004U90
NISSAN	4106030P91
NISSAN	4106030P93
NISSAN	4106037P90
NISSAN	4106037P91
NISSAN	4106040P90
NISSAN	4106045P90
NISSAN	4106091F90
NISSAN	AY040NS001
NISSAN	AY040NS003
NISSAN	AY040NS071
NISSAN	AY040NS107
NISSAN	AY040NS10701
NISSAN	AY040NS917
NISSAN	D1060AA525

NISSAN	D106MN2586
--------	------------

NISSAN	D106MN2588
--------	------------

SUBARU	26296AE120
--------	------------

SUBARU	26296AE121
--------	------------

SUBARU	26296FA150
--------	------------

SUBARU	26296FE070
--------	------------

SUBARU	26296FE090
--------	------------
