

Specificații tehnice plăcuțe

Oșie
Posterioară

WVA
21051

Lățime
61,6 mm

Grosime
15,7 mm

Înălțime
61,2 mm

Sistem de frânare
Teves

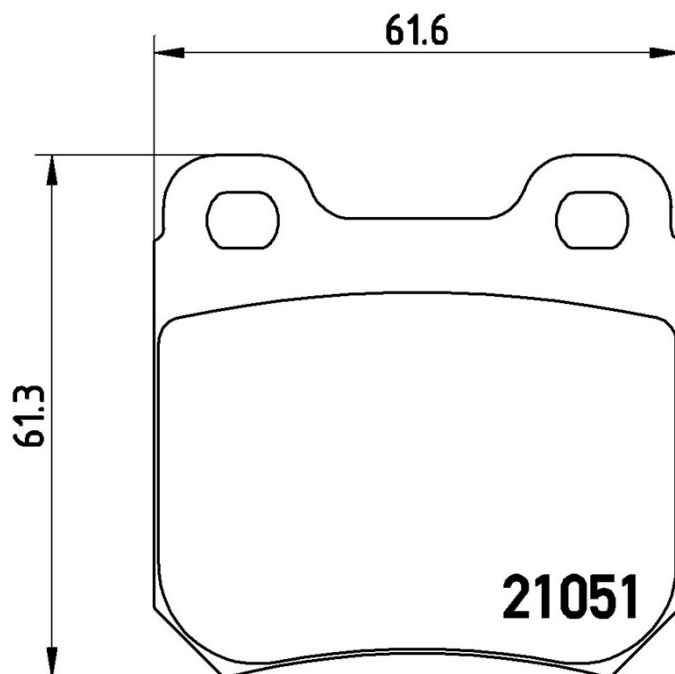
Accesorii

Sezor uzură
Fără

Cod EAN
8020584055410



 **brembo**



Autovehicule compatibile

CHEVROLET

Model	Tip	kW	An
VECTRA	2.2 Elegance	101	12/97 06/05

OPEL

Model	Tip	kW	An
OMEGA A (V87)	1.8 (F19, M19, N19)	85	09/86 03/94
OMEGA A (V87)	1.8 (F19, M19, N19)	65	09/87 03/94
OMEGA A (V87)	1.8 N (F19, M19, N19)	60	09/86 08/87
OMEGA A (V87)	1.8 S (F19, M19, N19)	66	09/86 03/94

OMEGA A (V87)	2.0 (F19, M19, N19)	90	09/86 03/94
OMEGA A (V87)	2.0 i (F19, M19, N19)	85	09/86 03/94
OMEGA A (V87)	2.3 D (F19, M19, N19)	54	10/86 03/94
OMEGA A (V87)	2.3 TD (F19, M19, N19)	66	10/86 08/88
OMEGA A (V87)	2.3 TD Interc. (F19, M19, N19)	74	08/88 03/94

VAUXHALL

Model	Tip	kW	An
CARLTON Mk III Saloon (V87)	1.8	65	09/87 03/94
CARLTON Mk III Saloon (V87)	1.8 i	85	09/86 03/94
CARLTON Mk III Saloon (V87)	1.8 S	66	09/86 03/94
CARLTON Mk III Saloon (V87)	2.0	85	09/86 03/94
CARLTON Mk III Saloon (V87)	2.0 i	90	09/86 03/94
CARLTON Mk III Saloon (V87)	2.2 TD	66	10/86 08/88
CARLTON Mk III Saloon (V87)	2.3 D	54	09/86 03/94
CARLTON Mk III Saloon (V87)	2.3 TD Interc.	74	08/88 03/94

Coduri OE

Coduri OE compatibile

OPEL	1605924
OPEL	90487271
OPEL	90540177
VAUXHALL	1605617
VAUXHALL	93169000