



# BRAKE PAD

## P 59 026

The P 59 026 brake pad is synonymous with reliability

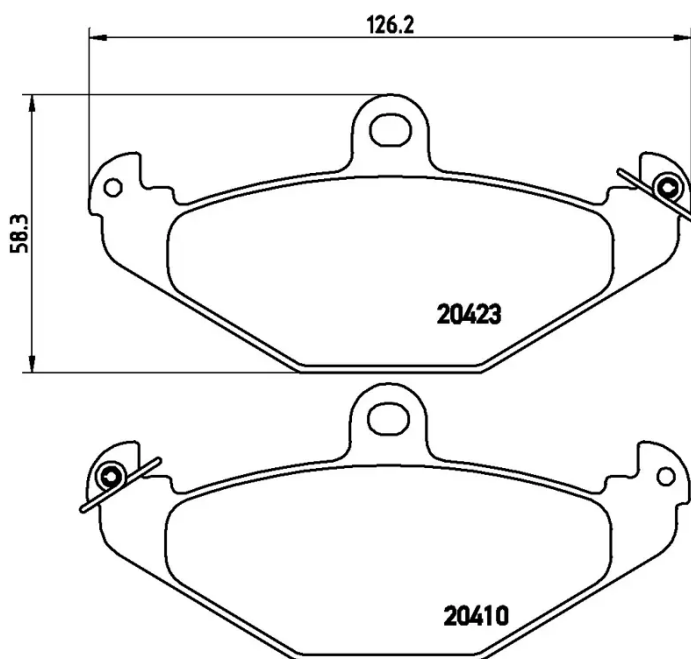
The Brembo brake pad guarantees ultimate safety when braking thanks to the use of more than 100 different compounds, designed according to the type of vehicle and use. Stopping distances reduced to a minimum, maximum driving comfort and silent operation are the most important features of Brembo materials. Brembo brake pads are supplied together with an extensive range of accessories and assembly kits for professional-standard installation.

- ✓ OE-equivalent
- ✓ Brembo quality
- ✓ ECE-R90 certificate
- ✓ Safety
- ✓ Performance
- ✓ Comfort



### Technical specifications

EAN code <b>8020584055571</b>	Axle <b>Rear</b>	Thickness <b>13 mm</b>
Width <b>126 mm</b>	Height <b>58 mm</b>	Braking system <b>Brembo</b>
Wear indicator <b>Without</b>	WVA number <b>20410,20423</b>	Accessories <b>With anti-squeal shim</b>



COMPATIBLE VEHICLES

## COMPATIBLE OE PART NUMBERS

4720987	CHRYSLER
4897219AA	CHRYSLER
4897219AB	DODGE
93191371	GENERAL MOTORS
A117J0085S	LOTUS
B117J0085S	LOTUS
4801293	OPEL
4801664	OPEL
93181371	OPEL
6002446	TESLA
9199059	VAUXHALL
93184618	VAUXHALL