

## Specificații tehnice plăcuțe

**Osie**  
Anterioară

**WVA**  
23359,23358,23360

**Lățime**  
148,1 mm

**Grosime**  
18 mm

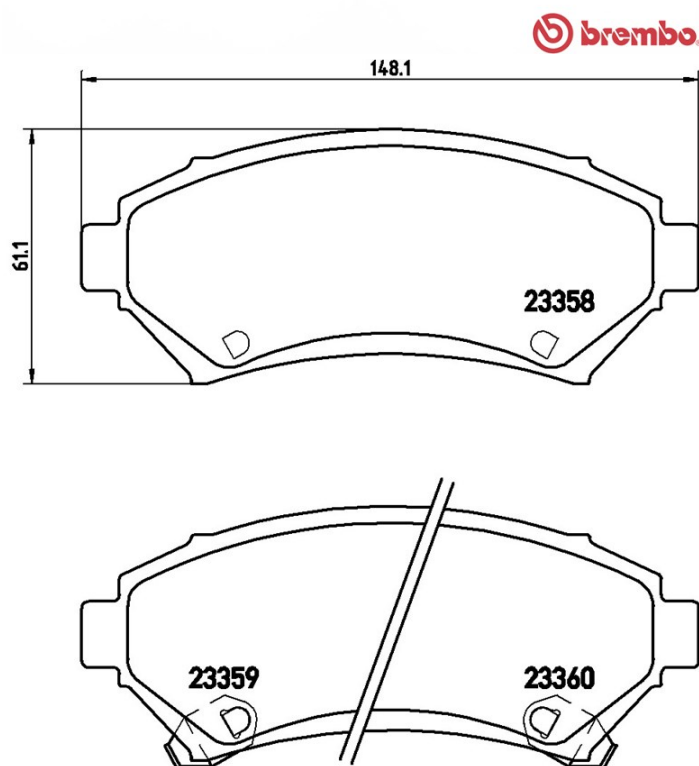
**Înălțime**  
61,1 mm

**Sistem de frânare**  
Wagner

**Accesorii**

**Sezor uzură**  
Acustic

**Cod EAN**  
8020584055595



## Autovehicule compatibile

### BUICK

Model	Tip	kW	An
REGAL (4WF_)	3.8	149	10/02 09/04
REGAL (4WF_)	3.8	153	10/97 10/04
RIVIERA Coupe	3.8	153	09/94 12/99

### CADILLAC

Model	Tip	kW	An
DEVILLE	4.6	224	09/95 09/99
DEVILLE	4.6	224	10/99 09/04

DEVILLE	4.6	205	10/99 12/05
ELDORADO Coupe	4.6	220	09/91 09/94
ELDORADO Coupe	4.6	224	09/94 09/02
SEVILLE	4.6 SLS V8	205	09/97 09/04
SEVILLE	4.6 STS V8	224	09/97 09/04
<b>CHEVROLET</b>			
Model	Tip	kW	An
IMPALA Saloon	3.4 V6	134	01/99 12/05
IMPALA Saloon	3.8	179	06/03 05/05
IMPALA Saloon	3.8 V6	149	01/99 12/05
IMPALA Saloon	5.7	212	10/99 05/05
MONTE CARLO Coupe	3.8	149	09/99 12/05
TRANS SPORT	3.4	137	08/96 09/05
TRANS SPORT	3.4 V6	138	10/00 09/05
TRANS SPORT	3.4 V6 AWD	138	10/01 09/05
VENTURE	3.4	130	04/98 09/04
<b>MEGA</b>			
Model	Tip	kW	An
MONTE CARLO	6.0 V12	290	01/98 -
<b>OLDSMOBILE</b>			
Model	Tip	kW	An
INTRIGUE Saloon	3.5	160	09/98 12/02
INTRIGUE Saloon	3.8	145	09/97 12/99
<b>OPEL</b>			
Model	Tip	kW	An
SINTRA (APV)	2.2 DTI	85	07/97 04/99
SINTRA (APV)	2.2 i 16V (OUN16, Y94)	104	11/96 04/99
SINTRA (APV)	3.0 i 24V (OUN16, Y94)	148	11/96 04/99
<b>PONTIAC</b>			
Model	Tip	kW	An
GRAND PRIX VI Coupe	3.1	119	09/96 12/97
GRAND PRIX VI Coupe	3.8 GT	145	07/96 07/99

GRAND PRIX VI Coupe	3.8 GT	149	08/99 12/03
GRAND PRIX VI Coupe	3.8 GT Power	179	07/96 12/03
GRAND PRIX VI Saloon	3.1	119	07/96 07/99
GRAND PRIX VI Saloon	3.1	131	08/99 12/03
GRAND PRIX VI Saloon	3.8	145	07/96 07/99
GRAND PRIX VI Saloon	3.8	149	08/99 12/03
GRAND PRIX VI Saloon	3.8 GT Power	179	07/96 12/03
MONTANA	3.4	138	04/98 08/05
MONTANA	3.4 AWD	138	04/98 08/05
TRANS SPORT	3.4	134	03/97 09/98
TRANS SPORT	3.4	137	09/98 12/99
TRANS SPORT	2.3	101	01/93 03/97
TRANS SPORT	2.3	108	01/93 03/97
TRANS SPORT	3.1	90	07/89 03/97
TRANS SPORT	3.1	104	07/89 03/97
TRANS SPORT	3.8	112	07/89 03/97
TRANS SPORT	3.8	123	07/89 03/97
TRANS SPORT	3.8	127	07/89 03/97

## VAUXHALL

Model	Tip	kW	An
SINTRA (APV)	2.2 DTI	85	07/97 04/99
SINTRA (APV)	2.2 i 16 V	104	11/96 04/99
SINTRA (APV)	3.0 i 24V	148	11/96 04/99

## Coduri OE

### Coduri OE compatibile

BUICK	19152498
OPEL	1605067
OPEL	1605947
OPEL	18024962
OPEL	18045382