

Specificații tehnice plăcuțe

Osie
Anterioară

WVA
20260

Lățime
78,7 mm

Grosime
16,5 mm

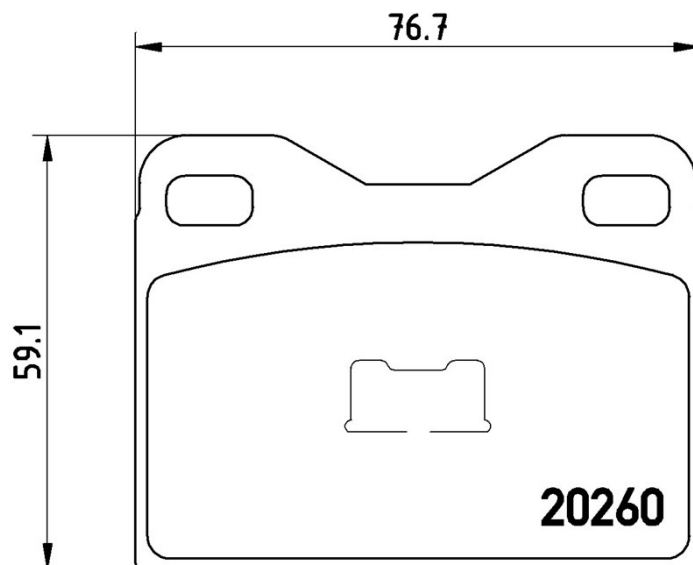
Înălțime
59,05 mm

Sistem de frânare
Teves

Accesorii

Sezor uzură
Fără

Cod EAN
8020584055854



Autovehicule compatibile

PEUGEOT

Model	Tip	kW	An
104	0.9	34	10/72 10/79
104	0.9	33	10/79 10/83
104	1.1	42	07/76 08/82
104	1.1	37	08/80 06/88
104	1.1	48	09/78 09/79
104	1.2	42	08/79 06/83
104	1.4	53	08/79 06/83
104 Coupe	0.9	33	09/73 10/83
104 Coupe	1.1	49	08/75 06/80
104 Coupe	1.1	42	08/79 06/83
104 Coupe	1.1	37	08/79 06/88
104 Coupe	1.1	48	09/73 09/79
104 Coupe	1.4	53	08/79 06/84
304 (_04M_)	1.3 GL (M01)	48	09/72 10/79
304 (_04M_)	1.4 D (M20)	33	10/76 10/79
304 Break (_04D_)	1.1 (D11)	43	10/76 10/80
304 Break (_04D_)	1.3 (D01)	48	09/70 10/80
304 Break (_04D_)	1.4 D	33	10/76 10/79

305 I (581A)	1.3	44	11/77 09/82
305 I (581A)	1.3	48	11/77 09/82
305 I (581A)	1.5	65	05/80 09/82
305 I (581A)	1.5	54	11/79 09/82
305 I (581A)	1.5 Diesel	36	11/77 09/82
305 I Break (581D)	1.3	44	08/80 09/82
305 I Break (581D)	1.5	54	08/80 09/82
305 I Break (581D)	1.5 Diesel	36	08/80 09/82

RENAULT

Model	Tip	kW	An
14 (121_)	1.2 (1210)	43	01/80 12/83
14 (121_)	1.2 (1210)	42	05/76 01/80
14 (121_)	1.4 (1212)	52	09/79 06/83
14 (121_)	1.4 (1213)	44	12/81 12/83

Coduri OE

Coduri OE compatibile

CITROËN	425009
CITROËN	425068
PEUGEOT	424596
PEUGEOT	424861
PEUGEOT	424868
PEUGEOT	425009
PEUGEOT	425068
RENAULT	7701200754
RENAULT	7701202955
RENAULT	7701348246
RENAULT	7701348681