

Specificații tehnice plăcuțe

Osie
Anterioară

WVA
21209, 21210

Lățime
94,7 mm

Grosime
19,4 mm

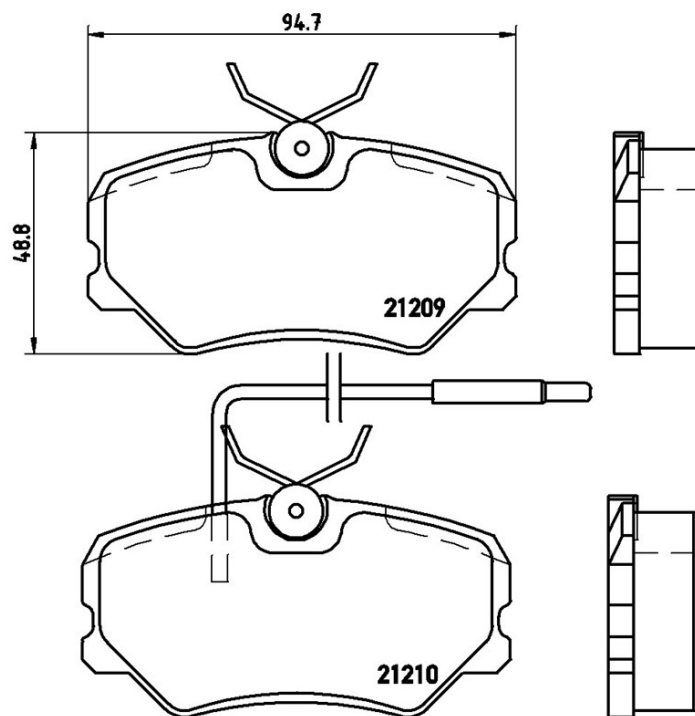
Înălțime
48,8 mm

Sistem de frânare
Lucas

Accesorii
Cu șuruburi cu șuruburi de frână

Sezor uzură
Electric

Cod EAN
8020584056110



Autovehicule compatibile

PEUGEOT

Model	Tip	kW	An
405 I (15B)	1.4	47	01/87 07/92
405 I (15B)	1.4	50	06/87 07/92
405 I (15B)	1.6	69	01/87 12/92
405 I (15B)	1.6	55	07/87 06/88
405 I (15B)	1.6	53	07/87 12/92
405 I (15B)	1.6	65	07/87 12/92
405 I (15B)	1.6	66	10/89 12/92

405 I (15B)	1.6 4x4	65	04/88 07/92
405 I (15B)	1.8 Turbo Diesel	66	03/88 12/92
405 I (15B)	1.9	90	01/89 12/92
405 I (15B)	1.9	72	06/87 07/92
405 I (15B)	1.9	80	06/87 07/92
405 I (15B)	1.9	88	06/87 07/92
405 I (15B)	1.9	70	07/87 12/92
405 I (15B)	1.9	93	07/87 12/93
405 I (15B)	1.9 4x4	88	06/87 07/92
405 I (15B)	1.9 4x4	116	06/87 07/92
405 I (15B)	1.9 4x4	80	07/88 12/92
405 I (15B)	1.9 4x4	93	07/90 07/92
405 I (15B)	1.9 Diesel	51	03/88 12/92
405 I (15B)	1.9 Diesel	47	07/88 09/92
405 I (15B)	1.9 Injection	77	07/87 12/92
405 I (15B)	1.9 Injection 4x4	77	06/87 07/92
405 I (15B)	1.9 Sport MI-16	108	06/87 07/92
405 I (15B)	1.9 Sport MI-16	116	07/87 11/92
405 I (15B)	1.9 SPort MI-16 4x4	108	06/87 07/92
405 I Break (15E)	1.6	68	05/88 07/92
405 I Break (15E)	1.6	53	10/88 08/92
405 I Break (15E)	1.6	55	10/88 08/92
405 I Break (15E)	1.6	65	10/88 08/92
405 I Break (15E)	1.6	66	10/88 08/92
405 I Break (15E)	1.6	69	10/88 08/92
405 I Break (15E)	1.6 SRi 4x4	65	04/88 07/92
405 I Break (15E)	1.8 GLD	44	04/90 07/92
405 I Break (15E)	1.8 TD	66	10/88 08/92
405 I Break (15E)	1.9	72	05/88 07/92
405 I Break (15E)	1.9	116	06/87 07/92
405 I Break (15E)	1.9	70	10/88 08/92
405 I Break (15E)	1.9	77	10/88 08/92
405 I Break (15E)	1.9	80	10/88 08/92
405 I Break (15E)	1.9	88	10/88 08/92

405 I Break (15E)	1.9 4x4	88	07/90 07/92
405 I Break (15E)	1.9 4x4	108	07/90 07/92
405 I Break (15E)	1.9 4x4	80	10/88 08/92
405 I Break (15E)	1.9 All-wheel Drive	116	06/87 07/92
405 I Break (15E)	1.9 All-wheel Drive	77	09/88 07/92
405 I Break (15E)	1.9 D	47	10/88 08/92
405 I Break (15E)	1.9 D	51	10/88 08/92
405 II (4B)	1.4	58	08/92 06/94
405 II (4B)	1.4	55	08/92 10/95
405 II (4B)	1.6	66	08/92 05/97
405 II (4B)	1.6	68	08/92 08/94
405 II (4B)	1.6	65	08/92 10/95
405 II (4B)	1.8	74	08/92 10/95
405 II (4B)	1.8	76	08/96 11/99
405 II (4B)	1.9 D	50	06/94 10/95
405 II (4B)	1.9 D	47	08/92 10/95
405 II (4B)	1.9 TD	66	08/92 10/95
405 II (4B)	2.0	89	08/92 10/95
405 II (4B)	2.0 16V	110	06/94 10/95
405 II (4B)	2.0 MI-16	112	08/92 10/95
405 II (4B)	2.0 X4	89	08/92 10/95
405 II Break (4E)	1.4	58	07/93 06/94
405 II Break (4E)	1.4	55	08/92 10/96
405 II Break (4E)	1.6	66	08/92 05/97
405 II Break (4E)	1.6	65	08/92 10/96
405 II Break (4E)	1.8	74	08/92 10/96
405 II Break (4E)	1.9 D	50	06/94 10/96
405 II Break (4E)	1.9 D	47	08/92 10/96
405 II Break (4E)	1.9 D	51	09/93 12/95
405 II Break (4E)	1.9 TD	66	08/92 10/96
405 II Break (4E)	2.0	89	08/92 10/96
405 II Break (4E)	2.0 4x4	89	08/92 10/96

Coduri OE

Coduri OE compatibile

CITROËN	1611458780
CITROËN	425055
CITROËN	425078
CITROËN	425087
CITROËN	425095
CITROËN	425135
CITROËN	425270
CITROËN	E172168
CITROËN	E172574
PEUGEOT	1611458780
PEUGEOT	425055
PEUGEOT	425078
PEUGEOT	425087
PEUGEOT	425093
PEUGEOT	425095
PEUGEOT	425135
PEUGEOT	425270
PEUGEOT	E172168
PEUGEOT	E172574