

## Specificații tehnice plăcuțe

**Osie**  
Anterioară

**WVA**  
21191,21267

**Lățime**  
71,9 mm

**Grosime**  
17 mm

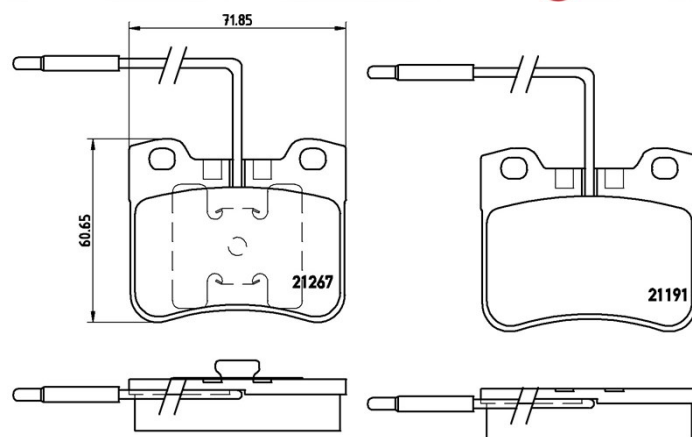
**Înălțime**  
60,7 mm

**Sistem de frânare**  
Teves

**Accesorii**

**Sezor uzură**  
Electric

**Cod EAN**  
8020584056233



## Autovehicule compatibile

### CITROËN

Model	Tip	kW	An
AX (ZA-)	1.3 Sport	70	04/87 12/88
AX (ZA-)	1.4 Allure	48	08/92 04/94
AX (ZA-)	1.4 D 4x4	39	06/91 07/92
AX (ZA-)	10	37	02/87 12/98
AX (ZA-)	10	33	07/86 12/98
AX (ZA-)	10	32	09/86 06/92
AX (ZA-)	10 E	30	12/86 12/88
AX (ZA-)	11	44	09/86 12/97
AX (ZA-)	11	40	12/86 04/94
AX (ZA-)	11 Cat (ZA-)	40	09/88 12/89
AX (ZA-)	14	61	01/88 12/92

AX (ZA_)	14	62	01/88 12/92
AX (ZA_)	14	49	06/88 12/89
AX (ZA_)	14	44	12/86 12/88
AX (ZA_)	14 (ZA)	55	04/87 04/97
AX (ZA_)	14 D	37	08/91 12/97
AX (ZA_)	14 D	38	09/88 06/92
AX (ZA_)	15 D	40	08/94 12/97
AX (ZA_)	15 D	43	08/94 12/97
SAXO (S0, S1)	1.0 X	33	05/96 11/98
SAXO (S0, S1)	1.0 X	37	05/98 06/03
SAXO (S0, S1)	1.1 X,SX	40	05/96 09/03

## PEUGEOT

Model	Tip	kW	An
106 I (1A, 1C)	1.0	33	09/91 04/96
106 I (1A, 1C)	1.0	37	09/91 04/96
106 II (1A_, 1C_)	1.0 i	37	04/96 03/01
106 II (1A_, 1C_)	1.0 i	33	05/96 10/99
106 II (1A_, 1C_)	1.1 i	40	01/97 03/01
106 II (1A_, 1C_)	1.1 i	44	05/96 07/04
106 Van II Box Body / Hatchback (1S_)	1.0	33	04/96 03/01
106 Van II Box Body / Hatchback (1S_)	Electric	20	04/96 03/01

## Coduri OE

### Coduri OE compatibile

CITROËN	442794
CITROËN	E172169