

# Plăcuțe de frână P 61 084

 **brembo**  
AFTERMARKET

## Specificații tehnice plăcuțe

**Oșie**  
Posterioară

**Lățime**  
86,8 mm

**Înălțime**  
53 mm

**Accesorii**  
Cu șuruburi cu șuruburi de frână  
Cu accesorii

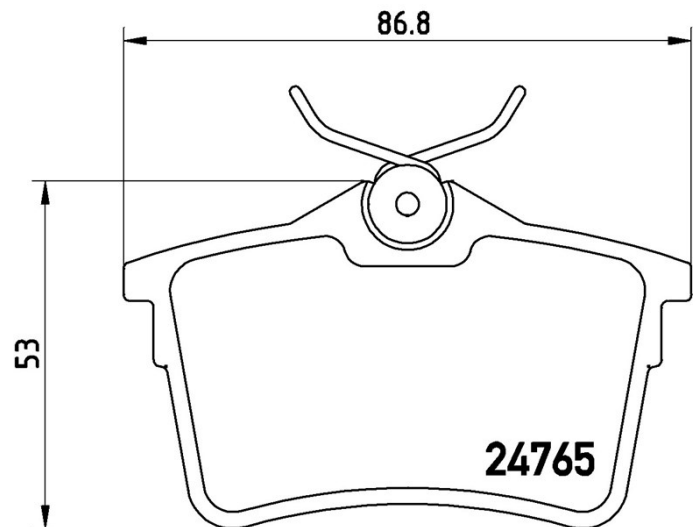
**Cod EAN**  
8020584061626

**WVA**  
24765

**Grosime**  
16,6 mm

**Sistem de frânare**  
Lucas

**Sezor uzură**  
Fără



## Autovehicule compatibile

### CITROËN

Model	Tip	kW	An
BERLINGO (B9)	1.2 PureTech 110	81	02/16 -
BERLINGO (B9)	1.6	66	04/08 -
BERLINGO (B9)	1.6	80	04/08 -
BERLINGO (B9)	1.6	81	11/08 -
BERLINGO (B9)	1.6 BlueHDi 100	73	12/14 -
BERLINGO (B9)	1.6 BlueHDi 120	88	12/14 -

BERLINGO (B9)	1.6 HDi 110	80	04/08 -
BERLINGO (B9)	1.6 HDi 110	82	07/10 -
BERLINGO (B9)	1.6 HDi 115	84	07/10 -
BERLINGO (B9)	1.6 HDi 115 4x4	84	02/12 -
BERLINGO (B9)	1.6 HDi 75 / BlueHDi 75	55	04/08 -
BERLINGO (B9)	1.6 HDi 75 16V	55	04/08 -
BERLINGO (B9)	1.6 HDi 90	66	04/08 -
BERLINGO (B9)	1.6 HDi 90	68	07/10 -
BERLINGO (B9)	1.6 HDi 90 4x4	66	02/12 12/14
BERLINGO (B9)	1.6 VTi 120	88	11/09 -
BERLINGO (B9)	1.6 VTi 95	72	07/10 -
BERLINGO / BERLINGO FIRST Box (M_)	Electric	42	01/11 12/11
BERLINGO Box (B9)	1.6	66	04/08 -
BERLINGO Box (B9)	1.6	80	04/08 -
BERLINGO Box (B9)	1.6 BlueHDi 100	73	12/14 -
BERLINGO Box (B9)	1.6 BlueHDi 100 4x4	73	12/14 -
BERLINGO Box (B9)	1.6 BlueHDi 120	88	12/14 -
BERLINGO Box (B9)	1.6 HDi / BlueHDi 75	55	07/10 -
BERLINGO Box (B9)	1.6 HDi 110	80	04/08 -
BERLINGO Box (B9)	1.6 HDi 110	82	07/10 -
BERLINGO Box (B9)	1.6 HDi 115	84	07/10 -
BERLINGO Box (B9)	1.6 HDi 115 4x4	84	02/12 -
BERLINGO Box (B9)	1.6 HDi 75	55	04/08 -
BERLINGO Box (B9)	1.6 HDi 75 4x4	55	02/12 -
BERLINGO Box (B9)	1.6 HDi 90	66	07/10 -
BERLINGO Box (B9)	1.6 HDi 90	68	07/10 -
BERLINGO Box (B9)	1.6 HDi 90 16V	66	04/08 -
BERLINGO Box (B9)	1.6 HDi 90 4x4	66	02/12 -
BERLINGO Box (B9)	1.6 VTi 120	88	11/09 -
BERLINGO Box (B9)	1.6 VTi 95	72	07/10 -
BERLINGO Box (B9)	Electric	35	01/13 -
BERLINGO Box (B9)	Electric	49	03/14 -
BERLINGO Platform/Chassis (B9)	1.6 BlueHDi 100	73	12/14 -
BERLINGO Platform/Chassis (B9)	1.6 HDi 90	66	07/10 -

BERLINGO Platform/Chassis (B9)	1.6 HDi 90 16V	66	04/08 -
BERLINGO Platform/Chassis (B9)	1.6 HDi 92	68	07/10 -
<b>PEUGEOT</b>			
Model	Tip	kW	An
308 I (4A_, 4C_)	1.6 GTi	147	07/10 10/14
308 I (4A_, 4C_)	2.0 HDi	103	07/10 12/12
308 I (4A_, 4C_)	2.0 HDi	110	10/11 10/14
308 SW I (4E_, 4H_)	1.4 16V	70	09/07 10/14
308 SW I (4E_, 4H_)	1.4 16V	72	12/09 10/14
308 SW I (4E_, 4H_)	1.6 16V	128	03/08 10/14
308 SW I (4E_, 4H_)	1.6 16V	88	09/07 10/14
308 SW I (4E_, 4H_)	1.6 16V	103	09/07 10/14
308 SW I (4E_, 4H_)	1.6 16V	110	09/07 10/14
308 SW I (4E_, 4H_)	1.6 16V	115	10/09 10/14
308 SW I (4E_, 4H_)	1.6 Bioflex	82	03/09 10/14
308 SW I (4E_, 4H_)	1.6 HDi	84	03/13 10/14
308 SW I (4E_, 4H_)	1.6 HDi	66	09/07 10/14
308 SW I (4E_, 4H_)	1.6 HDi	80	09/07 10/14
308 SW I (4E_, 4H_)	1.6 HDi	68	11/09 10/14
308 SW I (4E_, 4H_)	1.6 HDi	82	12/09 10/14
308 SW I (4E_, 4H_)	2.0 Bioflex	103	01/08 12/11
308 SW I (4E_, 4H_)	2.0 HDi	110	04/11 10/14
308 SW I (4E_, 4H_)	2.0 HDi	120	06/09 10/14
308 SW I (4E_, 4H_)	2.0 HDi	103	09/07 10/14
308 SW I (4E_, 4H_)	2.0 HDi	100	09/07 12/12
PARTNER Box / RANCH Box	1.6	66	04/08 -
PARTNER Box / RANCH Box	1.6	80	04/08 -
PARTNER Box / RANCH Box	1.6	88	04/10 -
PARTNER Box / RANCH Box	1.6	72	11/10 -
PARTNER Box / RANCH Box	1.6 BlueHDi 100	73	04/15 -
PARTNER Box / RANCH Box	1.6 BlueHDi 120	88	04/15 -
PARTNER Box / RANCH Box	1.6 HDi	84	03/13 -
PARTNER Box / RANCH Box	1.6 HDi	55	04/08 -
PARTNER Box / RANCH Box	1.6 HDi	80	04/08 -

PARTNER Box / RANCH Box	1.6 HDi	67	09/09 -
PARTNER Box / RANCH Box	1.6 HDi	66	12/11 -
PARTNER Box / RANCH Box	1.6 HDi / BlueHDi 75	55	07/11 -
PARTNER Box / RANCH Box	1.6 HDi 16V	66	04/08 -
PARTNER Box / RANCH Box	1.6 HDi 16V 4x4	66	04/12 -
PARTNER Box / RANCH Box	1.6 HDi 90	68	04/10 -
PARTNER Box / RANCH Box	Électrique	49	06/13 -
PARTNER Platform/Chassis / RANCH Platform/Chassis	1.6 HDi	55	01/09 -
PARTNER Platform/Chassis / RANCH Platform/Chassis	1.6 HDi	66	03/13 -
PARTNER Platform/Chassis / RANCH Platform/Chassis	1.6 HDi 16V	66	01/09 -
PARTNER Tepee / RANCH Tepee	1.2 THP	81	02/16 -
PARTNER Tepee / RANCH Tepee	1.6 BlueHDi 100	73	12/14 -
PARTNER Tepee / RANCH Tepee	1.6 BlueHDi 100 4x4	73	04/15 -
PARTNER Tepee / RANCH Tepee	1.6 BlueHDi 120	88	12/14 -
PARTNER Tepee / RANCH Tepee	1.6 HDi	66	03/13 -
PARTNER Tepee / RANCH Tepee	1.6 HDi	84	03/13 -
PARTNER Tepee / RANCH Tepee	1.6 HDi	80	04/08 -
PARTNER Tepee / RANCH Tepee	1.6 HDi	82	08/10 -
PARTNER Tepee / RANCH Tepee	1.6 HDi / BlueHDi 75	55	01/15 -
PARTNER Tepee / RANCH Tepee	1.6 HDi 16V	68	04/10 -
PARTNER Tepee / RANCH Tepee	1.6 HDi 16V	66	04/08 -
PARTNER Tepee / RANCH Tepee	1.6 HDi 90	68	04/10 -
PARTNER Tepee / RANCH Tepee	1.6 VTi	81	09/08 -
PARTNER Tepee / RANCH Tepee	1.6 VTi	66	04/08 -
PARTNER Tepee / RANCH Tepee	1.6 VTi	80	04/08 -
PARTNER Tepee / RANCH Tepee	1.6 VTi	72	08/10 -
PARTNER Tepee / RANCH Tepee	1.6 VTi	81	09/08 -
PARTNER Tepee / RANCH Tepee	1.6 VTi	88	09/09 04/16

## Coduri OE

### Coduri OE compatibile

CITROËN	1608520480
CITROËN	425414
CITROËN	425415

CITROËN	425429
PEUGEOT	1608520480
PEUGEOT	1611837980
PEUGEOT	1623063180
PEUGEOT	425414
PEUGEOT	425415
PEUGEOT	425429