

Plăcuțe de frână P 61 108



Specificații tehnice plăcuțe

Osie
Anterioară

WVA
24423, 25231, 25230

Lățime
108,4 mm

Grosime
14,7 mm

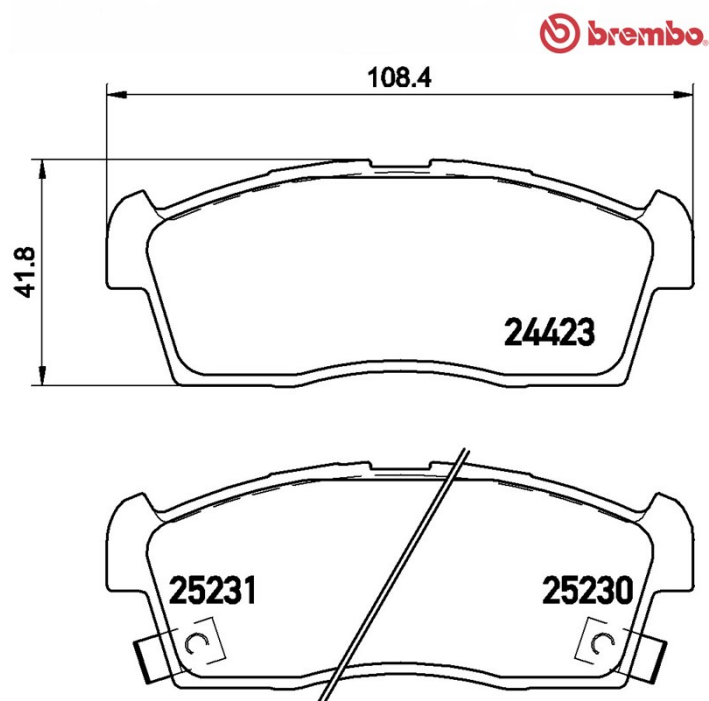
Înălțime
41,8 mm

Sistem de frânare
Sumitomo

Accesorii

Sezor uzură
Acustic

Cod EAN
8020584103562



Autovehicule compatibile

CITROËN

Model	Tip	kW	An
C-ZERO	C-Zero	35	10/10 -
C-ZERO	C-Zero	47	10/10 -
C-ZERO	C-Zero	49	10/14 -

MAZDA

Model	Tip	kW	An
AZ WAGON (MJ23_)	0.7	40	07/08 12/12
AZ WAGON (MJ23_)	0.7 4WD	40	07/08 12/12
CAROL (HB25_)	0.7	38	01/10 -

CAROL (HB25_)	0.7	40	01/10 -
CAROL (HB25_)	0.7 4WD	38	01/10 -
FLAIR	0.7	38	07/12 03/17
FLAIR	0.7	47	07/12 03/17
FLAIR	0.7 4WD	38	07/12 03/17
FLAIR	0.7 4WD	47	07/12 03/17
FLAIR CROSSOVER	0.7	38	01/14 -
FLAIR CROSSOVER	0.7	47	01/14 -
FLAIR CROSSOVER	0.7 4WD	38	01/14 -
FLAIR CROSSOVER	0.7 4WD	47	01/14 -
FLAIR WAGON	0.7	38	07/12 -
FLAIR WAGON	0.7	47	07/12 -
FLAIR WAGON	0.7 4WD	38	07/12 -
FLAIR WAGON	0.7 4WD	47	07/12 -
SCRUM Truck (DG1_T)	0.7	37	01/14 -
SCRUM Truck (DG1_T)	0.7 4WD	37	01/14 -
SCRUM Van (DG1_V)	0.7	36	03/15 -
SCRUM Van (DG1_V)	0.7	47	03/15 -
SCRUM Van (DG1_V)	0.7 4WD	36	03/15 -
SCRUM Van (DG1_V)	0.7 4WD	47	03/15 -

MITSUBISHI

Model	Tip	kW	An
i (HA_)	MiEV (HA4W)	47	07/09 -
i (HA_)	MiEV (HA4W)	49	02/11 -
i (HA_)	MiEV (HA4W)	35	07/09 -

NISSAN

Model	Tip	kW	An
MOCO III (MG33S)	0.7	38	01/11 -
MOCO III (MG33S)	0.7	40	01/11 -
MOCO III (MG33S)	0.7	47	01/11 -
MOCO III (MG33S)	0.7 4WD	38	01/11 -
MOCO III (MG33S)	0.7 4WD	40	01/11 -

MOCO III (MG33S)	0.7 4WD	47	01/11 -
NT100 CLIPPER (DR16T)	0.7	37	06/12 -
NT100 CLIPPER (DR16T)	0.7 4WD	37	06/12 -
NV100 CLIPPER Bus (DR17V, DR64V)	0.7	36	03/15 -
NV100 CLIPPER Bus (DR17V, DR64V)	0.7	47	06/12 -
NV100 CLIPPER Bus (DR17V, DR64V)	0.7 4WD	36	03/15 -
NV100 CLIPPER Bus (DR17V, DR64V)	0.7 4WD	47	06/12 -
NV100 CLIPPER RIO MPV (DR17W, DR64W)	0.7	47	03/15 -
NV100 CLIPPER RIO MPV (DR17W, DR64W)	0.7 4WD	47	03/15 -
PINO (HC24_)	0.7	40	03/07 12/12
PINO (HC24_)	0.7 4WD	40	03/07 12/12
ROOX	0.7	47	01/10 02/13
ROOX	0.7	39	03/09 -
ROOX	0.7 4WD	40	01/10 02/13
ROOX	0.7 4WD	47	01/10 02/13
PEUGEOT			
Model	Tip	kW	An
ION	Electric	49	01/11 -
ION	Electric	35	11/10 -
ION	Electric	47	11/10 -
SUZUKI			
Model	Tip	kW	An
HUSTLER (MR31_, MR41_)	0.7	38	01/14 -
HUSTLER (MR31_, MR41_)	0.7	47	01/14 -
HUSTLER (MR31_, MR41_)	0.7 4WD	38	01/14 -
HUSTLER (MR31_, MR41_)	0.7 4WD	47	01/14 -
HUSTLER (MR31_, MR41_)	0.7 Hybrid	38	05/15 -
HUSTLER (MR31_, MR41_)	0.7 Hybrid	47	05/15 -
HUSTLER (MR31_, MR41_)	0.7 Hybrid 4WD	38	05/15 -
HUSTLER (MR31_, MR41_)	0.7 Hybrid 4WD	47	05/15 -
MR WAGON (MF33)	0.7	40	01/11 -
MR WAGON (MF33)	0.7	38	07/13 -

MR WAGON (MF33)	0.7	47	07/13 -
MR WAGON (MF33)	0.7 4WD	40	01/11 -
MR WAGON (MF33)	0.7 4WD	38	07/13 -
MR WAGON (MF33)	0.7 4WD	47	07/13 -
PALETTE (MK21_)	0.7	40	01/08 -
PALETTE (MK21_)	0.7	44	01/08 10/09
PALETTE (MK21_)	0.7	47	08/12 -
PALETTE (MK21_)	0.7 4WD	40	01/08 -
PALETTE (MK21_)	0.7 4WD	44	01/08 10/09
PALETTE (MK21_)	0.7 4WD	47	08/12 -
SPACIA (MK)	0.7	38	03/13 -
SPACIA (MK)	0.7	47	03/13 -
SPACIA (MK)	0.7 4WD	38	03/13 -
SPACIA (MK)	0.7 4WD	47	03/13 -
SPACIA (MK)	0.7 Hybrid (MK42S)	38	05/15 -
SPACIA (MK)	0.7 Hybrid (MK42S)	47	05/15 -
SPACIA (MK)	0.7 Hybrid 4WD (MK42S)	38	05/15 -
SPACIA (MK)	0.7 Hybrid 4WD (MK42S)	47	05/15 -

Coduri OE

Coduri OE compatibile

CITROËN	1606225680
CITROËN	1610275680
MAZDA	1A153323Z
MAZDA	1A163323Z
MAZDA	1A173323Z
MAZDA	1A183323Z
MAZDA	1A193323Z
MAZDA	1A213323Z
MAZDA	1A223323Z
MAZDA	1A233323Z
MAZDA	1A263323ZA

MAZDA	1V723328ZA
MITSUBISHI	4605A953
MITSUBISHI	4605A954
MITSUBISHI	4605B216
MITSUBISHI	MQ506046
MITSUBISHI	MQ506047
NISSAN	410604A00A
NISSAN	410604A00C
NISSAN	410604A00D
NISSAN	410604A00E
NISSAN	410604A00F
NISSAN	410604A00G
NISSAN	410604A00H
NISSAN	410604A00K
NISSAN	410604A00L
NISSAN	410604A00M
NISSAN	410604A0A5
NISSAN	AY040KE147
NISSAN	AY040KE150
PEUGEOT	1606225680
PEUGEOT	1610275680
SUZUKI	5518082K00
SUZUKI	5581064L10
SUZUKI	5581068H00
SUZUKI	5581072J00
SUZUKI	5581072J10
SUZUKI	5581072J20
SUZUKI	5581081M00
SUZUKI	5581081MB0
SUZUKI	5581081MB1
SUZUKI	5581082K00

